



ITALIANPRO

ELEVATOR GEARED-GEARLESS
MACHINES & COMPONENTS

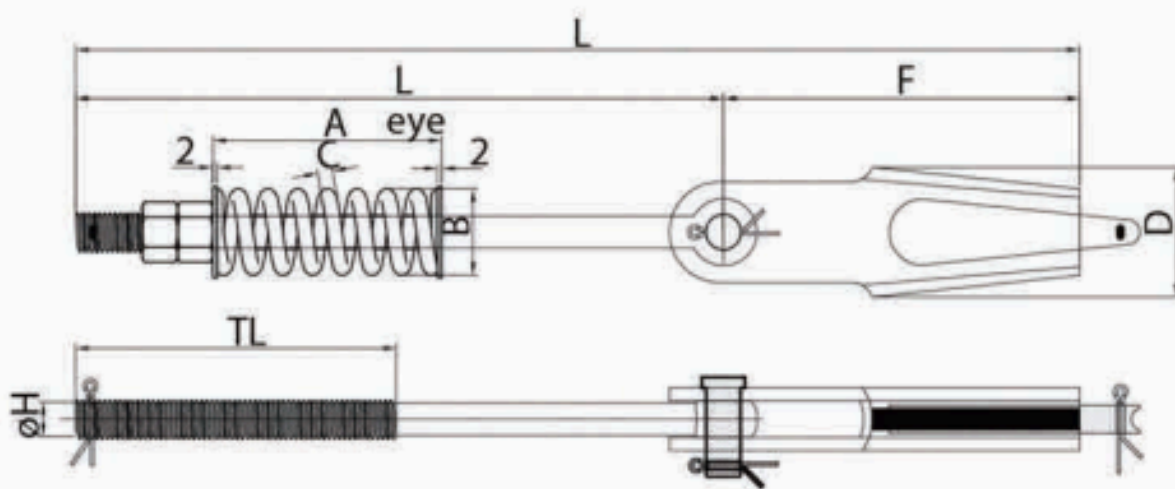
Rope Attachment Spring PRO00108 Series





ITALIANPRO

ELEVATOR GEARED-GEARLESS MACHINES & COMPONENTS



CODE	ROPE D mm	ø D	L eye	L mm	F	TL mm	A	B	C	D	MIN STRENGTH KN
PRO00108 1	6 - 8	M12	300	430	130	150	110	32	6.5	50	29.4
	6 - 8	M12	500	630	130	150	110	32	6.5	50	29.4
PRO00108 2	9 - 11	M16	300	465	165	150	102	40	7	60	56.5
	9 - 11	M16	500	665	165	150	102	40	7	60	56.5
PRO00108 3	12 - 14	M20	300	500	200	150	156	50	9	75	78.9
	12 - 14	M20	500	700	200	150	156	50	9	75	78.9
PRO00108 4	5 - 6.5	M10	180	265	85	75	68	24	4	36	22.7