



ITALIANPRO

ELEVATOR GEARED-GEARLESS
MACHINES & COMPONENTS

PRO180T Series





ITALIANPRO

ELEVATOR GEARED-GEARLESS MACHINES & COMPONENTS

Features

Load:320~400kg

Roping:1:1

Voltage:380V、 220V

IP Code:IP41

Brake Vol:DC110V

Working System:S5-25%

Speed:0.3~0.5m/s

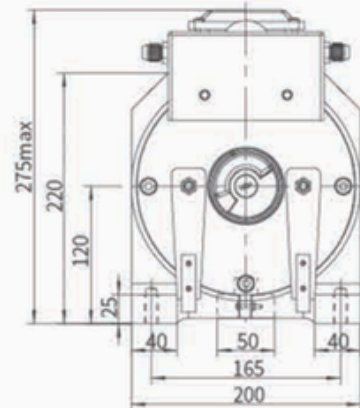
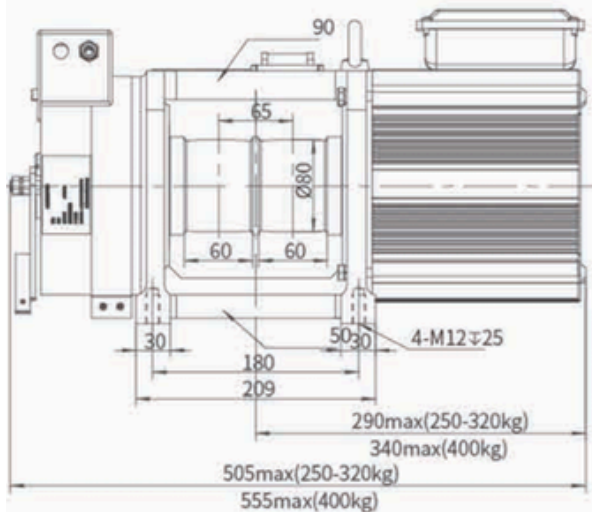
Static Load:3000kg

INS.Class:F

Poles:16

Brake Current:1.1A

Overall Dimensions



PRO180T Series Gearless Traction Machine Specification (Roping 1:1)

Type	Load (kg)	Speed (m/s)	Power (kW)	Current(A) 380V/220V	Speed (rpm)	Frequency (Hz)	Torque (N.m)	Sheave (mm)	Rope n×a-b	Net Weight (kg)
PROD250Y	250	0.3	0.52	4.5/4.5	72	9.6	70	80	2×30-65	65
	250	0.4	0.7	4.5/4.5	96	12.8	70	80	2×30-65	65
	250	0.5	0.9	3.1/5.3	119	15.9	70	80	2×30-65	65
PROD320Y	320	0.3	0.7	5.8/5.8	72	9.6	85	80	2×30-65	75
	320	0.4	0.9	5.8/5.8	96	12.8	85	80	2×30-65	75
	320	0.5	1.1	3.9/6.8	119	15.9	85	80	2×30-65	75
PROD400Y	400	0.3	0.9	6.5/6.5	72	9.6	105	80	2×30-65	75
	400	0.4	1.1	6.5/6.5	96	12.8	105	80	2×30-65	75
	400	0.5	1.3	4.2/7.2	119	15.9	105	80	2×30-65	75