



ITALIANPRO

ELEVATOR GEARED-GEARLESS
MACHINES & COMPONENTS

PROI65S-PROI86S SERIES





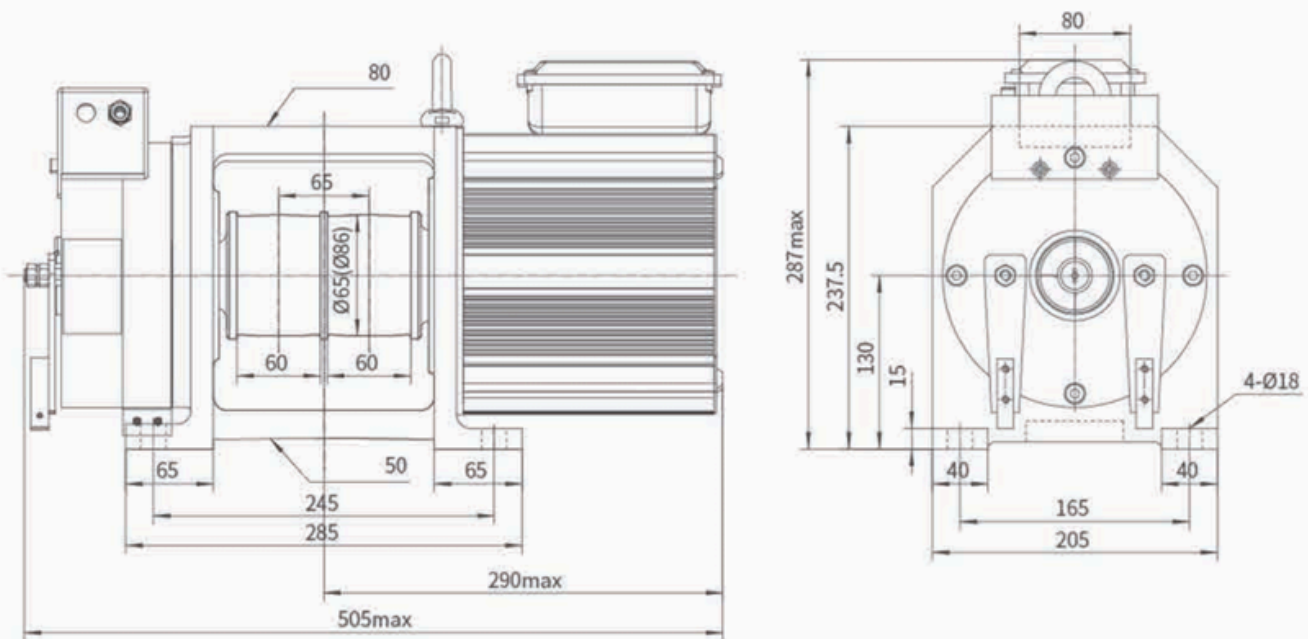
ITALIANPRO

ELEVATOR GEARED-GEARLESS MACHINES & COMPONENTS

PROI65S Series Gearless Traction Machine Specification (Roping 2:1)

Type	Load (kg)	Speed (m/s)	Power (kW)	Current(A) 380V/220V	Speed (rpm)	Frequency (Hz)	Torque (N.m)	Sheave (mm)	Rope n x a-b	Net Weight (kg)
PROD320	320	0.3	0.7	3.7/3.7	176	23.5	36	65	2x30-65	65
	320	0.4	0.9	3.7/3.7	235	31.3	36	65	2x30-65	65
	320	0.5	1.1	4.7/4.7	294	39.2	36	65	2x30-65	65
PROD400	400	0.3	0.9	4.7/4.7	176	23.5	45	65	2x30-65	65
	400	0.4	1.1	4.7/4.7	235	31.3	45	65	2x30-65	65
	400	0.5	1.3	5.8/5.8	294	39.2	45	65	2x30-65	65
PROD450	450	0.3	1.0	5.2/5.2	176	23.5	50	65	2x30-65	65
	450	0.4	1.3	5.2/5.2	235	31.3	50	65	2x30-65	65
	450	0.5	1.6	6.5/6.5	294	39.2	50	65	2x30-65	65

Overall Dimensions





ITALIANPRO

ELEVATOR GEARED-GEARLESS MACHINES & COMPONENTS

PROI86S Series Gearless Traction Machine Specification (Roping 2:1)

Type	Load (kg)	Speed (m/s)	Power (kW)	Current(A) 380V/220V	Speed (rpm)	Frequency (Hz)	Torque (N.m)	Sheave (mm)	Rope nxa-b	Net Weight (kg)
PROD320	320	0.3	0.7	3.9/3.9	133	17.7	50	86	2x30-65	65
	320	0.4	0.9	3.9/3.9	178	23.7	50	86	2x30-65	65
	320	0.5	1.1	3.4/5.9	222	29.6	50	86	2x30-65	65
	320	0.63	1.3	3.4/5.9	280	37.3	50	86	2x30-65	65
	320	1.0	2.2	4.9/8.5	444	59.2	50	86	2x30-65	65
PROD400	400	0.3	0.9	4.7/4.7	133	17.7	60	86	2x30-65	65
	400	0.4	1.1	4.7/4.7	178	23.7	60	86	2x30-65	65
	400	0.5	1.3	4.2/7.2	222	29.6	60	86	2x30-65	65
	400	0.63	1.7	4.2/7.2	280	37.3	60	86	2x30-65	65
	400	1.0	2.7	5.9/10.3	444	59.2	60	86	2x30-65	65
PROD450	450	0.4	1.3	5.4/5.4	178	23.7	70	86	2x30-65	65
	450	0.5	1.6	4.8/8.3	222	29.6	70	86	2x30-65	65
	450	0.63	1.9	4.8/8.3	280	37.3	70	86	2x30-65	65
	450	1.0	3.2	6.9/12	444	59.2	70	86	2x30-65	65