



ITALIANPRO

ELEVATOR GEARED-GEARLESS
MACHINES & COMPONENTS

PROI320T Series





ITALIANPRO

ELEVATOR GEARED-GEARLESS MACHINES & COMPONENTS

Features

Load:320~630kg

Speed:0.4~1.75m/s

Roping:2:1

Static Load:3000kg

Voltage:380V、220V

INS.Class:F

IP Code:IP41

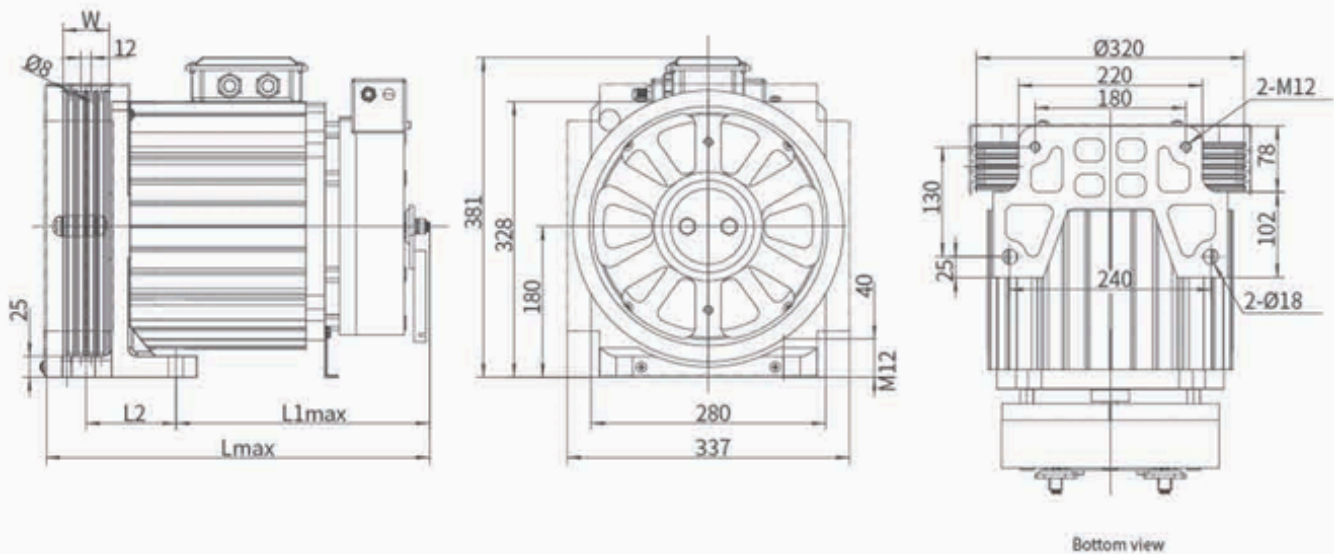
Poles:16

Brake Vol:DC110V

Brake Current:1.75A

Working System:S5-40%

Overall Dimensions



Size Specification Table

| (Spec.) | L (mm) | L1 (mm) | L2 (mm) | W (mm) |
|-----------------|--------|---------|---------|--------|
| PROS320/400/450 | 460 | 310 | 109.5 | 55 |
| PROS630 | 510 | 360 | 117 | 70 |



ITALIANPRO

ELEVATOR GEARED-GEARLESS MACHINES & COMPONENTS

PROI320T Series Gearless Traction Machine Specification (Roping 2:1)

| Type | Load (kg) | Speed (m/s) | Power (kW) | Current(A) 380V/220V | Speed (rpm) | Frequency (Hz) | Torque (N.m) | Sheave (mm) | Rope nxa-b | Net Weight (kg) |
|---------|-----------|-------------|------------|----------------------|-------------|----------------|--------------|-------------|------------|-----------------|
| PROS320 | 320 | 0.4 | 0.9 | 3.9/6.8 | 48 | 6.4 | 175 | 320 | 3xØ8-12 | 150 |
| | 320 | 0.5 | 1.1 | 3.9/6.8 | 60 | 8 | 175 | 320 | 3xØ8-12 | 150 |
| | 320 | 0.63 | 1.3 | 4.6/8 | 75 | 10 | 175 | 320 | 3xØ8-12 | 150 |
| | 320 | 1.0 | 2.2 | 5.4/9.3 | 119 | 15.9 | 175 | 320 | 3xØ8-12 | 150 |
| PROS400 | 400 | 0.4 | 1.1 | 4.9/8.5 | 48 | 6.4 | 215 | 320 | 3xØ8-12 | 150 |
| | 400 | 0.5 | 1.3 | 4.9/8.5 | 60 | 8 | 215 | 320 | 3xØ8-12 | 150 |
| | 400 | 0.63 | 1.7 | 5.8/10 | 75 | 10 | 215 | 320 | 3xØ8-12 | 150 |
| | 400 | 1.0 | 2.7 | 6.7/11.6 | 119 | 15.9 | 215 | 320 | 3xØ8-12 | 150 |
| PROS450 | 450 | 0.4 | 1.3 | 5.6/9.7 | 48 | 6.4 | 245 | 320 | 4xØ8-12 | 150 |
| | 450 | 0.5 | 1.6 | 5.6/9.7 | 60 | 8 | 245 | 320 | 4xØ8-12 | 150 |
| | 450 | 0.63 | 1.9 | 6.5/11.3 | 75 | 10 | 245 | 320 | 4xØ8-12 | 150 |
| | 450 | 1.0 | 3.2 | 7.6/13.2 | 119 | 15.9 | 245 | 320 | 4xØ8-12 | 150 |
| PROS630 | 630 | 0.4 | 1.7 | 7.5/13 | 48 | 6.4 | 340 | 320 | 5xØ8-12 | 150 |
| | 630 | 0.5 | 2.1 | 7.5/13 | 60 | 8 | 340 | 320 | 5xØ8-12 | 185 |
| | 630 | 0.63 | 2.7 | 8.4/14.5 | 75 | 10 | 340 | 320 | 5xØ8-12 | 185 |
| | 630 | 1.0 | 4.2 | 9.8/17 | 119 | 15.9 | 340 | 320 | 5xØ8-12 | 185 |
| | 630 | 1.5 | 6.4 | 16.2/28 | 179 | 23.9 | 340 | 320 | 5xØ8-12 | 185 |
| | 630 | 1.6 | 6.8 | 16.2/28 | 191 | 25.5 | 340 | 320 | 5xØ8-12 | 185 |
| | 630 | 1.75 | 7.4 | 16.2/28 | 209 | 27.9 | 340 | 320 | 5xØ8-12 | 185 |