



ITALIANPRO

ELEVATOR GEARED-GEARLESS
MACHINES & COMPONENTS

PROI240L Series





ITALIANPRO

ELEVATOR GEARED-GEARLESS MACHINES & COMPONENTS

Features

Load:450~1350kg

Roping:2:1

Voltage:380V

IP Code:IP41

Brake Vol:DC110V

Speed:1.0~1.6m/s

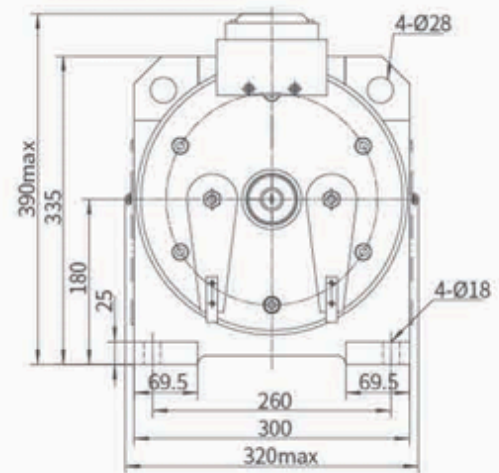
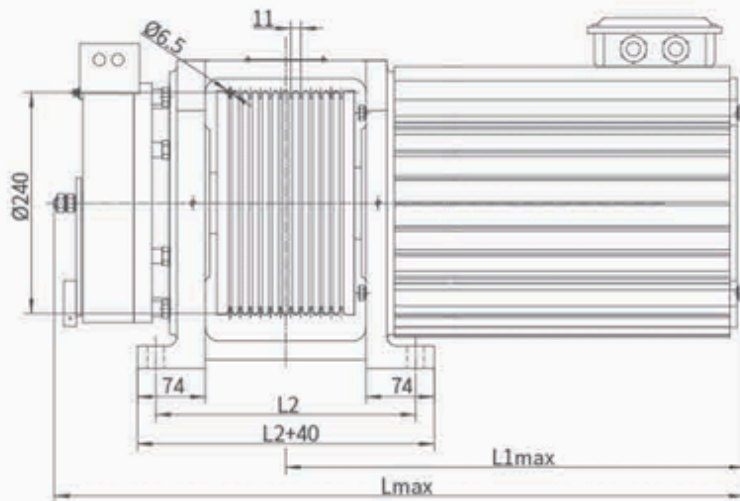
Static Load:4000kg

INS.Class:F

Poles:16

Working System:S5-40%

Overall Dimensions



Size Specification Table

(Spec.)	L (mm)	L1 (mm)	L2 (mm)
PROS450	485	265	195
PROS630	510	300	195
PROS800	550	340	195
PROS1000	730	460	283
PROS1250/1350	775	505	283



ITALIANPRO

ELEVATOR GEARED-GEARLESS MACHINES & COMPONENTS

PROI240L Series Gearless Traction Machine Specification (Roping 2:1)

Type	Load (kg)	Speed (m/s)	Power (kW)	Current(A) 380V	Speed (rpm)	Frequency (Hz)	Torque (N.m)	Sheave (mm)	Rope nxa-b	Brake current (A)	Net Weight (kg)
PROS450	450	1.0	3	7.6	159	21.2	180	240	5xØ6.5-11	1.5	105
	450	1.6	4.8	10.5	255	34	180	240	5xØ6.5-11	1.5	105
PROS630	630	1.0	4.2	9.3	159	21.2	250	240	6xØ6.5-11	1.75	135
	630	1.6	6.7	14	255	34	250	240	6xØ6.5-11	1.75	135
PROS800	800	1.0	5.3	10.8	159	21.2	320	240	7xØ6.5-11	1.75	155
	800	1.6	8.5	18	255	34	320	240	7xØ6.5-11	1.75	155
PROS1000	1000	1.0	6.7	13.8	159	21.2	400	240	9xØ6.5-11	1.75	200
	1000	1.6	10.7	22	255	34	400	240	9xØ6.5-11	1.75	200
PROS1250	1250	1.0	8.3	18	159	21.2	500	240	11xØ6.5-11	2	230
	1250	1.6	13.4	29	255	34	500	240	11xØ6.5-11	2	230
PROS1350	1350	1.0	9	20	159	21.2	540	240	11xØ6.5-11	2	230
	1350	1.6	14.4	32	255	34	540	240	11xØ6.5-11	2	230