



ITALIANPRO

ELEVATOR GEARED-GEARLESS
MACHINES & COMPONENTS

PROI200 - FG Series





ITALIANPRO

ELEVATOR GEARED-GEARLESS MACHINES & COMPONENTS

Features

Load:320~630kg

Speed:0.3~1.0m/s

Roping:2:1

Static Load:3000kg

Voltage:380V、 220V

INS.Class:F

IP Code:IP41

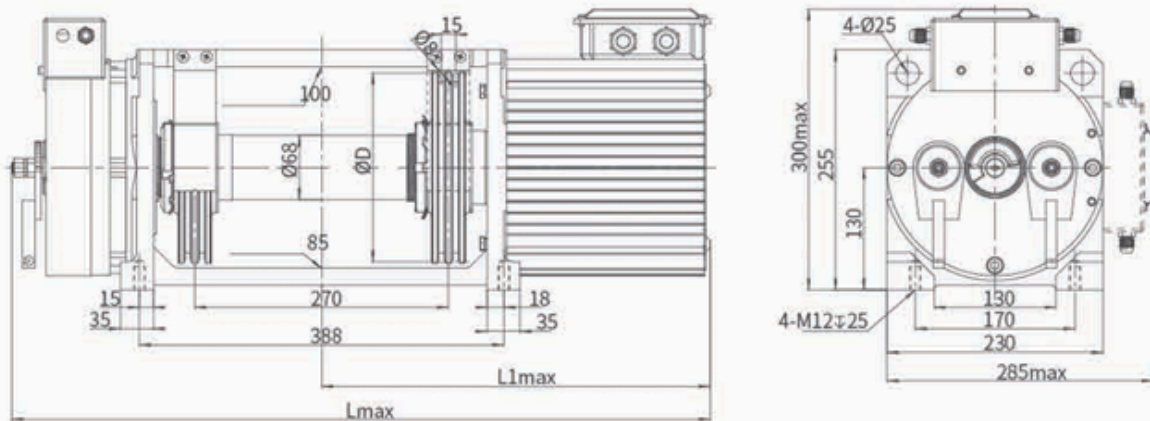
Poles:16

Brake Vol:DC110V

Brake Current:1.5A

Working System:S5-25%

Overall Dimensions



Size Specification Table

(Spec.)	D (mm)	L (mm)	L1 (mm)
PROS320/400/450	180	745	415
PROS630	180	785	455
PROS320/400	200	745	415
PROS450/630	200	785	455



ITALIANPRO

ELEVATOR GEARED-GEARLESS MACHINES & COMPONENTS

PROI200-FG Series Gearless Traction Machine Specification (Roping 2:1; Sheave 180mm)

Type	Load (kg)	Speed (m/s)	Power (kW)	Current(A) 380V/220V	Speed (rpm)	Frequency (Hz)	Torque (N.m)	Sheave (mm)	Rope nxa-b	Net Weight (kg)
PROS320	320	0.3	0.7	3.6/6.2	64	8.5	100	180	4xØ8-15	110
	320	0.4	0.9	3.6/6.2	85	11.3	100	180	4xØ8-15	110
	320	0.5	1.1	4/6.9	106	14.1	100	180	4xØ8-15	110
	320	0.63	1.3	4/6.9	134	17.9	100	180	4xØ8-15	110
	320	1.0	2.2	5.5/9.5	212	28.3	100	180	4xØ8-15	110
PROS400	400	0.3	0.9	4.4/7.6	64	8.5	120	180	4xØ8-15	110
	400	0.4	1.1	4.4/7.6	85	11.3	120	180	4xØ8-15	110
	400	0.5	1.3	4.8/8.3	106	14.1	120	180	4xØ8-15	110
	400	0.63	1.7	4.8/8.3	134	17.9	120	180	4xØ8-15	110
	400	1.0	2.7	7/12.1	212	28.3	120	180	4xØ8-15	110
PROS450	450	0.4	1.3	4.8/8.3	85	11.3	135	180	4xØ8-15	110
	450	0.5	1.6	5.4/9.4	106	14.1	135	180	4xØ8-15	110
	450	0.63	1.9	5.4/9.4	134	17.9	135	180	4xØ8-15	110
	450	1.0	3.2	7.2/12.4	212	28.3	135	180	4xØ8-15	110
PROS630	630	0.4	1.7	7.2/12.4	85	11.3	190	180	4xØ8-15	130
	630	0.5	2.1	8.8/15.2	106	14.1	190	180	4xØ8-15	130
	630	0.63	2.7	8.8/15.2	134	17.9	190	180	4xØ8-15	130
	630	1.0	4.2	11.4/19.8	212	28.3	190	180	4xØ8-15	130

PROI200-FG Series Gearless Traction Machine Specification (Roping 2:1; Sheave 200mm)

Type	Load (kg)	Speed (m/s)	Power (kW)	Current(A) 380V/220V	Speed (rpm)	Frequency (Hz)	Torque (N.m)	Sheave (mm)	Rope nxa-b	Net Weight (kg)
PROS320	320	0.3	0.7	3.9/6.8	57	7.6	110	200	4xØ8-15	110
	320	0.4	0.9	3.9/6.8	76	10.1	110	200	4xØ8-15	110
	320	0.5	1.1	4.4/7.6	96	12.8	110	200	4xØ8-15	110
	320	0.63	1.3	4.4/7.6	120	16	110	200	4xØ8-15	110
	320	1.0	2.2	5.8/10	191	25.5	110	200	4xØ8-15	110
PROS400	400	0.3	0.9	4.8/8.3	57	7.6	135	200	4xØ8-15	110
	400	0.4	1.1	4.8/8.3	76	10.1	135	200	4xØ8-15	110
	400	0.5	1.3	5.4/9.4	96	12.8	135	200	4xØ8-15	110
	400	0.63	1.7	5.4/9.4	120	16	135	200	4xØ8-15	110
PROS450	450	0.4	1.3	5.6/9.8	76	10.1	150	200	4xØ8-15	130
	450	0.5	1.6	6.9/12	96	12.8	150	200	4xØ8-15	130
	450	0.63	1.9	6.9/12	120	16	150	200	4xØ8-15	130
	450	1.0	3.2	8.7/15	191	25.5	150	200	4xØ8-15	130
PROS630	630	0.4	1.7	8/13.8	76	10.1	210	200	4xØ8-15	130
	630	0.5	2.1	9.7/16.8	96	12.8	210	200	4xØ8-15	130
	630	0.63	2.7	9.7/16.8	120	16	210	200	4xØ8-15	130
	630	1.0	4.2	12.7/22	191	25.5	210	200	4xØ8-15	130