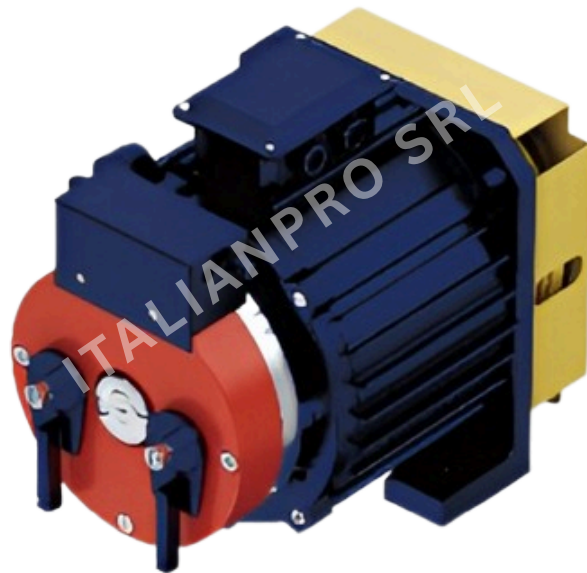




ITALIANPRO

ELEVATOR GEARED-GEARLESS
MACHINES & COMPONENTS

PROI200 - 2 Series





ITALIANPRO

ELEVATOR GEARED-GEARLESS MACHINES & COMPONENTS

Features

Load:320~450kg

Roping:2:1

Voltage:380V、 220V

IP Code:IP41

Brake Vol:DC110V

Working System:S5-25%

Speed:0.3~1.0m/s

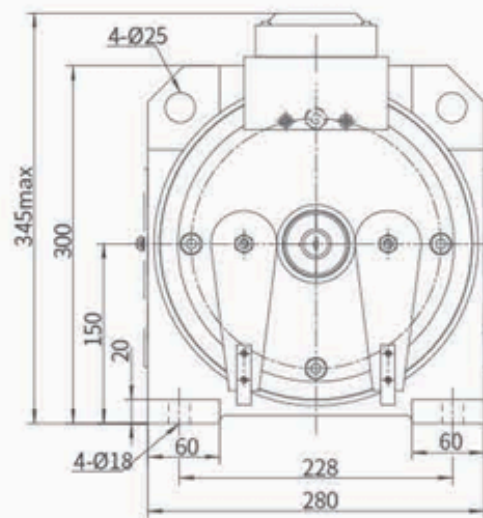
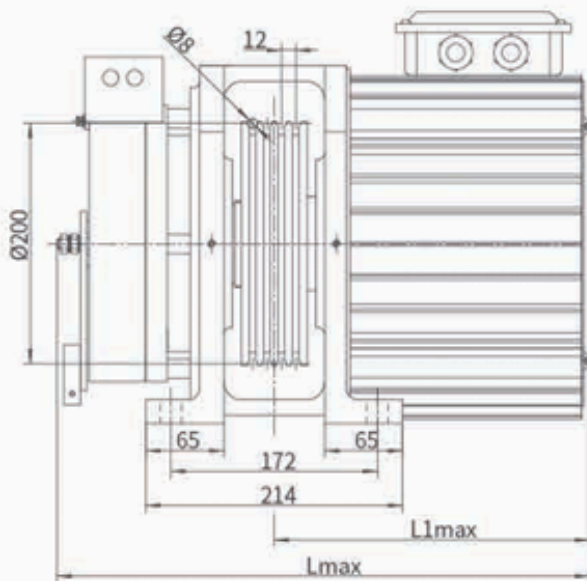
Static Load:3000kg

INS.Class:F

Poles:16

Brake Current:1.5A

Overall Dimensions



Size Specification Table

(Spec.)	L (mm)	L1 (mm)
PROS320	405	210
PROS400/450	420	225



ITALIANPRO

ELEVATOR GEARED-GEARLESS MACHINES & COMPONENTS

PROI200-2 Series Gearless Traction Machine Specification (Roping 2:1)

Type	Load (kg)	Speed (m/s)	Power (KW)	Current(A) 380V/220V	Speed (rpm)	Frequency (Hz)	Torque (N.m)	Sheave (mm)	Rope n x a-b	Net Weight (kg)
PROS320	320	0.3	0.7	3.4/5.8	57	7.6	110	200	3xØ8-12	70
	320	0.4	0.9	3.4/5.8	76	10.1	110	200	3xØ8-12	70
	320	0.5	1.1	3.8/6.5	96	12.8	110	200	3xØ8-12	70
	320	0.63	1.3	3.8/6.5	120	16	110	200	3xØ8-12	70
	320	1.0	2.2	5.3/9.2	191	25.5	110	200	3xØ8-12	70
PROS400	400	0.3	0.9	4/6.9	57	7.6	135	200	3xØ8-12	75
	400	0.4	1.1	4/6.9	76	10.1	135	200	3xØ8-12	75
	400	0.5	1.3	4.5/7.8	96	12.8	135	200	3xØ8-12	75
	400	0.63	1.7	4.5/7.8	120	16	135	200	3xØ8-12	75
	400	1.0	2.7	6.2/10.8	191	25.5	135	200	3xØ8-12	75
PROS450	450	0.4	1.3	4.5/7.8	76	10.1	150	200	4xØ8-12	75
	450	0.5	1.6	5.1/8.8	96	12.8	150	200	4xØ8-12	75
	450	0.63	1.9	5.1/8.8	120	16	150	200	4xØ8-12	75
	450	1.0	3.2	6.9/12	191	25.5	150	200	4xØ8-12	75