



# ITALIANPRO

ELEVATOR GEARED-GEARLESS  
MACHINES & COMPONENTS

## PROI160XB Series





# ITALIANPRO

## ELEVATOR GEARED-GEARLESS MACHINES & COMPONENTS

### Features

Load:320~630kg

Speed:0.3~1.0m/s

Roping:2:1

Static Load:3000kg

Voltage:380V、 220V

INS.Class:F

IP Code:IP41

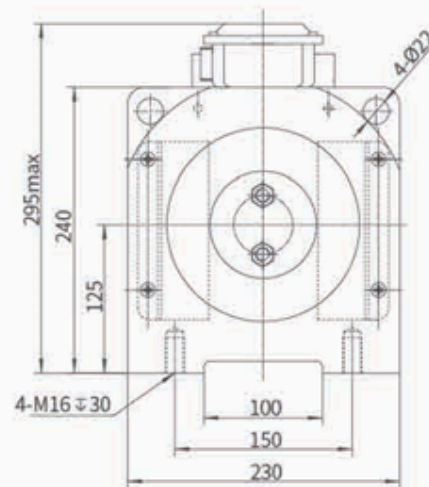
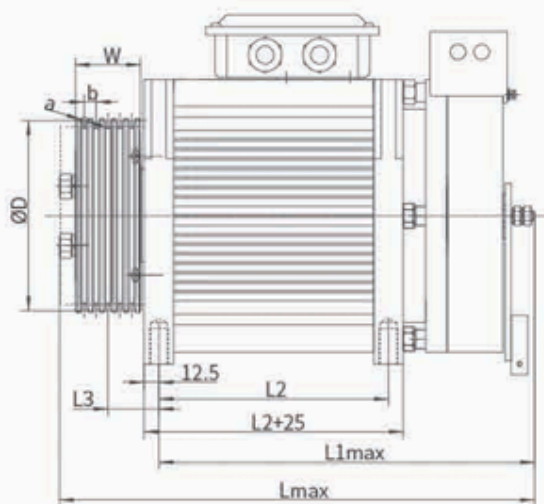
Poles:16

Brake Vol:DC110V

Brake Current:1.5A

Working System:S5-25%

### Overall Dimensions



### Size Specification Table

(Spec.)	D (mm)	L (mm)	L1 (mm)	L2 (mm)	L3 (mm)	W (mm)
PROS320/400	160	412	327	194	43	55
PROS320/400	200	412	327	194	43	55
PROS450	160	412	327	194	43	55
PROS450	200	453	368	235	43	55
PROS630	160	453	368	235	43	55
PROS630	200	453	368	235	50.5	70



# ITALIANPRO

## ELEVATOR GEARED-GEARLESS MACHINES & COMPONENTS

### PROI160XB Series Gearless Traction Machine Specification (Roping 2:1; Sheave 160mm)

Type	Load (kg)	Speed (m/s)	Power (kW)	Current(A) 380V/220V	Speed (rpm)	Frequency (Hz)	Torque (N.m)	Sheave (mm)	Rope n x a-b	Net Weight (kg)
PROS320	320	0.3	0.7	3.3/5.8	72	9.6	90	160	5xØ6-10	80
	320	0.4	0.9	3.3/5.8	96	12.8	90	160	5xØ6-10	80
	320	0.5	1.1	3.8/6.5	119	15.9	90	160	5xØ6-10	80
	320	0.63	1.3	3.8/6.5	150	20	90	160	5xØ6-10	80
	320	1.0	2.2	5.4/9.3	239	31.9	90	160	5xØ6-10	80
PROS400	400	0.3	0.9	4.2/7.2	72	9.6	105	160	5xØ6-10	80
	400	0.4	1.1	4.2/7.2	96	12.8	105	160	5xØ6-10	80
	400	0.5	1.3	4.6/8	119	15.9	105	160	5xØ6-10	80
	400	0.63	1.7	4.6/8	150	20	105	160	5xØ6-10	80
	400	1.0	2.7	6.8/11.7	239	31.9	105	160	5xØ6-10	80
PROS450	450	0.4	1.3	4.6/8	96	12.8	120	160	5xØ6-10	80
	450	0.5	1.6	5.2/9	119	15.9	120	160	5xØ6-10	80
	450	0.63	1.9	5.2/9	150	20	120	160	5xØ6-10	80
	450	1.0	3.2	7.6/13.2	239	31.9	120	160	5xØ6-10	80
PROS630	630	0.4	1.7	6/10.5	96	12.8	165	160	5xØ6-10	90
	630	0.5	2.1	8/13.8	119	15.9	165	160	5xØ6-10	90
	630	0.63	2.7	8/13.8	150	20	165	160	5xØ6-10	90
	630	1.0	4.2	9.5/16.5	239	31.9	165	160	5xØ6-10	90

### PROI160XB Series Gearless Traction Machine Specification (Roping 2:1; Sheave 200mm)

Type	Load (kg)	Speed (m/s)	Power (kW)	Current(A) 380V/220V	Speed (rpm)	Frequency (Hz)	Torque (N.m)	Sheave (mm)	Rope n x a-b	Net Weight (kg)
PROS320	320	0.3	0.7	3.9/6.8	57	7.6	110	200	3xØ8-12	85
	320	0.4	0.9	3.9/6.8	76	10.1	110	200	3xØ8-12	85
	320	0.5	1.1	4.4/7.6	96	12.8	110	200	3xØ8-12	85
	320	0.63	1.3	4.4/7.6	120	16	110	200	3xØ8-12	85
	320	1.0	2.2	5.8/10	191	25.5	110	200	3xØ8-12	85
PROS400	400	0.3	0.9	4.8/8.3	57	7.6	135	200	3xØ8-12	85
	400	0.4	1.1	4.8/8.3	76	10.1	135	200	3xØ8-12	85
	400	0.5	1.3	5.4/9.4	96	12.8	135	200	3xØ8-12	85
	400	0.63	1.7	5.4/9.4	120	16	135	200	3xØ8-12	85
	400	1.0	2.7	7.2/12.4	191	25.5	135	200	3xØ8-12	85
PROS450	450	0.4	1.3	5.6/9.8	76	10.1	150	200	4xØ8-12	95
	450	0.5	1.6	6.9/12	96	12.8	150	200	4xØ8-12	95
	450	0.63	1.9	6.9/12	120	16	150	200	4xØ8-12	95
	450	1.0	3.2	8.7/15	191	25.5	150	200	4xØ8-12	95
PROS630	630	0.4	1.7	8/13.8	76	10.1	210	200	5xØ8-12	95
	630	0.5	2.1	9.7/16.8	96	12.8	210	200	5xØ8-12	95
	630	0.63	2.7	9.7/16.8	120	16	210	200	5xØ8-12	95
	630	1.0	4.2	12.7/22	191	25.5	210	200	5xØ8-12	95