



ITALIANPRO

ELEVATOR GEARED-GEARLESS
MACHINES & COMPONENTS

PROI150A Series





ITALIANPRO

ELEVATOR GEARED-GEARLESS
MACHINES & COMPONENTS

Features

Load:320~450kg

Roping:2:1

Voltage:380V、 220V

IP Code:IP41

Brake Vol:DC110V

Working System:S5-25%

Speed:0.3~1.0m/s

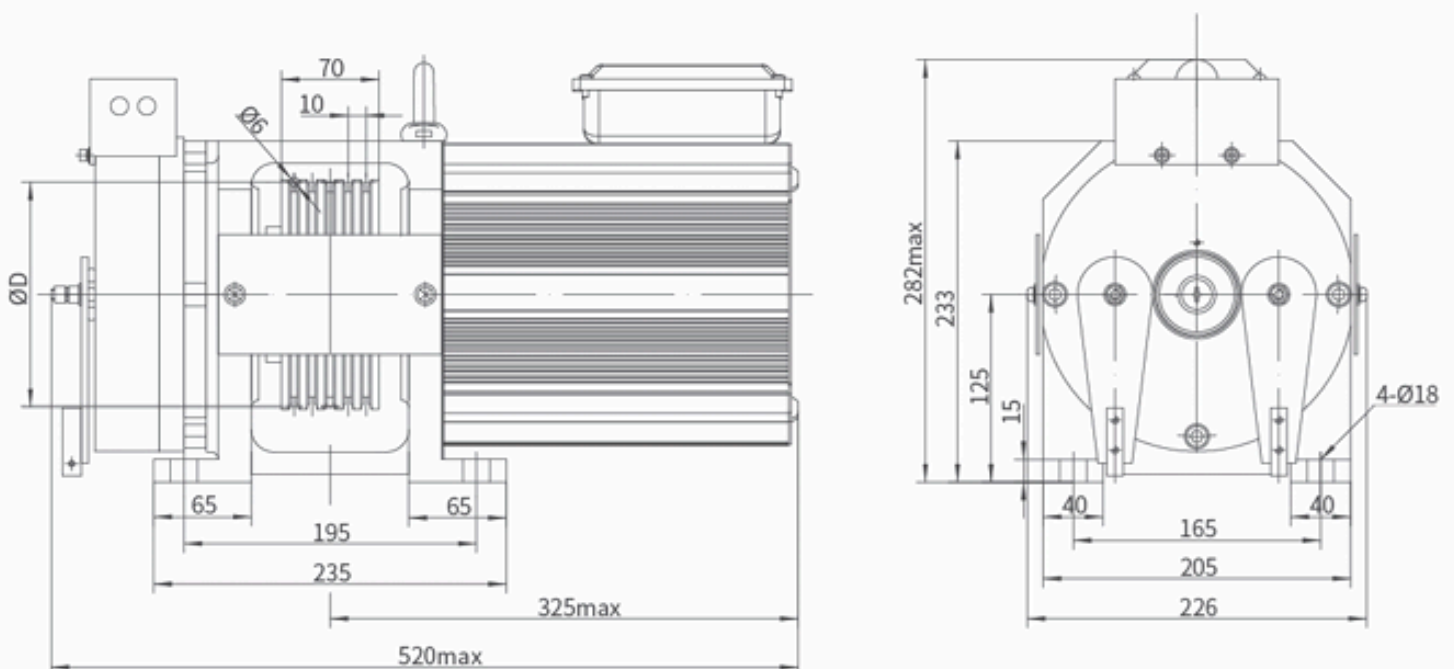
Static Load:3000kg

INS.Class:F

Poles:16

Brake Current:1.1A

Overall Dimensions





ITALIANPRO

ELEVATOR GEARED-GEARLESS MACHINES & COMPONENTS

PROI150A Series Gearless Traction Machine Specification (Roping 2:1; Sheave 150mm)

Type	Load (kg)	Speed (m/s)	Power (kW)	Current(A) 380V/220V	Speed (rpm)	Frequency (Hz)	Torque (N.m)	Sheave (mm)	Rope nxa-b	Net Weight (kg)
PROS320	320	0.3	0.7	4.8/4.8	76	10.1	85	150	4xØ6-10	90
	320	0.4	0.9	4.8/4.8	102	13.6	85	150	4xØ6-10	90
	320	0.5	1.1	3.8/6.6	127	16.9	85	150	4xØ6-10	90
	320	0.63	1.3	3.8/6.6	160	21.3	85	150	4xØ6-10	90
	320	1.0	2.2	4.6/8	255	34	85	150	4xØ6-10	90
PROS400	400	0.3	0.9	6/6	76	10.1	100	150	4xØ6-10	90
	400	0.4	1.1	6/6	102	13.6	100	150	4xØ6-10	90
	400	0.5	1.3	4.8/8.3	127	16.9	100	150	4xØ6-10	90
	400	0.63	1.7	4.8/8.3	160	21.3	100	150	4xØ6-10	90
	400	1.0	2.7	5.8/10	255	34	100	150	4xØ6-10	90
PROS450	450	0.4	1.3	4/6.9	102	13.6	110	150	4xØ6-10	90
	450	0.5	1.6	5.3/9.2	127	16.9	110	150	4xØ6-10	90
	450	0.63	1.9	5.3/9.2	160	21.3	110	150	4xØ6-10	90
	450	1.0	3.2	6.5/11.3	255	34	110	150	4xØ6-10	90

PROI150A Series Gearless Traction Machine Specification (Roping 2:1; Sheave 160mm)

Type	Load (kg)	Speed (m/s)	Power (kW)	Current(A) 380V/220V	Speed (rpm)	Frequency (Hz)	Torque (N.m)	Sheave (mm)	Rope nxa-b	Net Weight (kg)
PROS320	320	0.3	0.7	5.2/5.2	72	9.6	90	160	4xØ6-10	90
	320	0.4	0.9	5.2/5.2	96	12.8	90	160	4xØ6-10	90
	320	0.5	1.1	4.3/7.4	119	15.9	90	160	4xØ6-10	90
	320	0.63	1.3	4.3/7.4	150	20	90	160	4xØ6-10	90
	320	1.0	2.2	5/8.6	239	31.9	90	160	4xØ6-10	90
PROS400	400	0.3	0.9	6.5/6.5	72	9.6	105	160	4xØ6-10	90
	400	0.4	1.1	6.5/6.5	96	12.8	105	160	4xØ6-10	90
	400	0.5	1.3	5.3/9.2	119	15.9	105	160	4xØ6-10	90
	400	0.63	1.7	5.3/9.2	150	20	105	160	4xØ6-10	90
	400	1.0	2.7	6.2/10.7	239	31.9	105	160	4xØ6-10	90
PROS450	450	0.4	1.3	4.2/7.3	96	12.8	125	160	4xØ6-10	90
	450	0.5	1.6	6/10.5	119	15.9	125	160	4xØ6-10	90
	450	0.63	1.9	6/10.5	150	20	125	160	4xØ6-10	90
	450	1.0	3.2	6.9/12	239	31.9	125	160	4xØ6-10	90