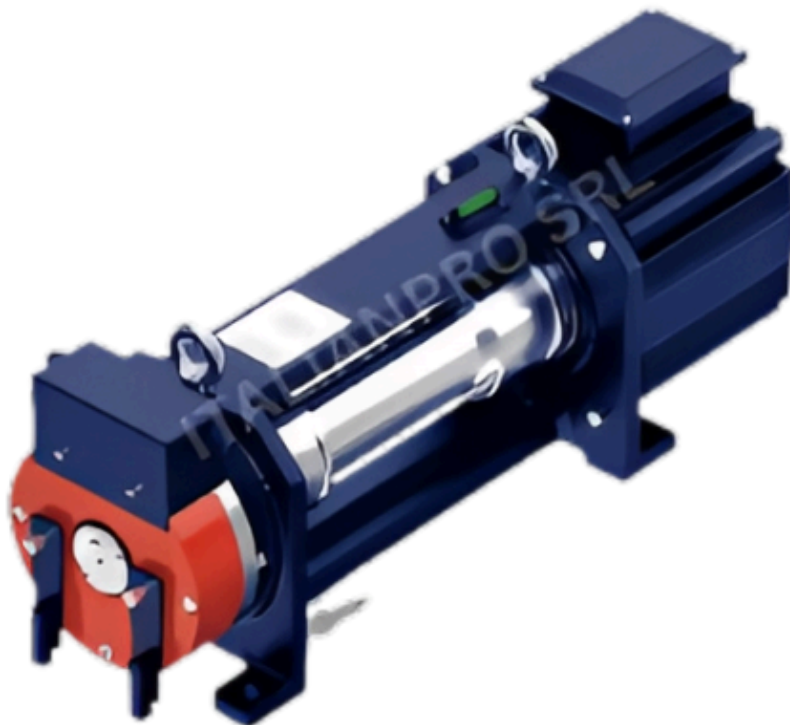




ITALIANPRO

ELEVATOR GEARED-GEARLESS
MACHINES & COMPONENTS

PROI150 - FG Series





ITALIANPRO

ELEVATOR GEARED-GEARLESS
MACHINES & COMPONENTS

Features

Load:320~450kg

Speed:0.3~1.0m/s

Roping:2:1

Static Load:3000kg

Voltage:380V、 220V

INS.Class:F

IP Code:IP41

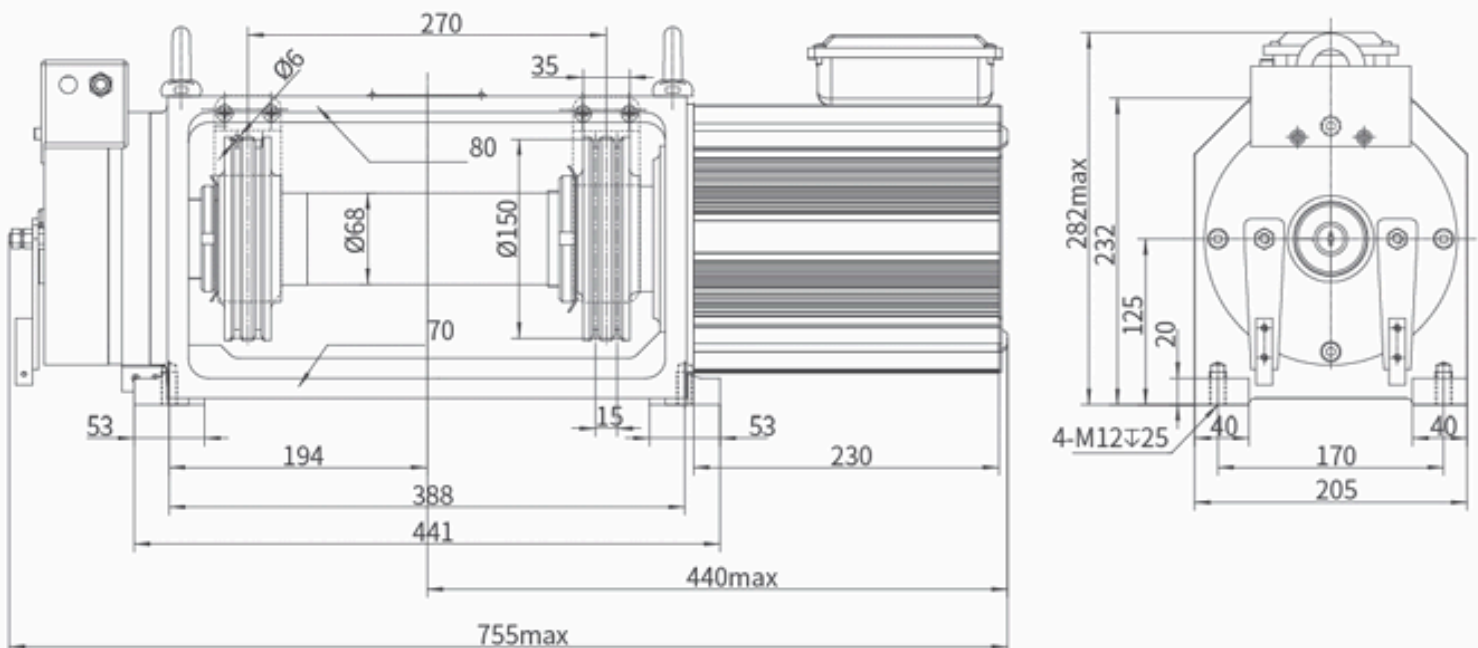
Poles:16

Brake Vol:DC110V

Brake Current:1.1A

Working System:S5-25%

Overall Dimensions





ITALIANPRO

ELEVATOR GEARED-GEARLESS MACHINES & COMPONENTS

PROI150-FG Series Gearless Traction Machine Specification (Roping 2:1)

主机型号 Type	额定载重 Load (kg)	额定梯速 Speed (m/s)	额定功率 Power (kW)	额定电流 Current(A) 380V/220V	额定转速 Speed (rpm)	额定频率 Frequency (Hz)	额定转矩 Torque (N.m)	曳引轮直径 Sheave (mm)	绳轮 Rope nxa-b	净重 Net Weight (kg)
PROS320	320	0.3	0.7	4.8/4.8	76	10.1	85	150	4xØ6-15	95
	320	0.4	0.9	4.8/4.8	102	13.6	85	150	4xØ6-15	95
	320	0.5	1.1	3.8/6.6	127	16.9	85	150	4xØ6-15	95
	320	0.63	1.3	3.8/6.6	160	21.3	85	150	4xØ6-15	95
	320	1.0	2.2	4.6/8	255	34	85	150	4xØ6-15	95
PROS400	400	0.3	0.9	6/6	76	10.1	100	150	4xØ6-15	95
	400	0.4	1.1	6/6	102	13.6	100	150	4xØ6-15	95
	400	0.5	1.3	4.8/8.3	127	16.9	100	150	4xØ6-15	95
	400	0.63	1.7	4.8/8.3	160	21.3	100	150	4xØ6-15	95
	400	1.0	2.7	5.8/10	255	34	100	150	4xØ6-15	95
PROS450	450	0.4	1.3	4/6.9	102	13.6	110	150	4xØ6-15	95
	450	0.5	1.6	5.3/9.2	127	16.9	110	150	4xØ6-15	95
	450	0.63	1.9	5.3/9.2	160	21.3	110	150	4xØ6-15	95
	450	1.0	3.2	6.5/11.3	255	34	110	150	4xØ6-15	95