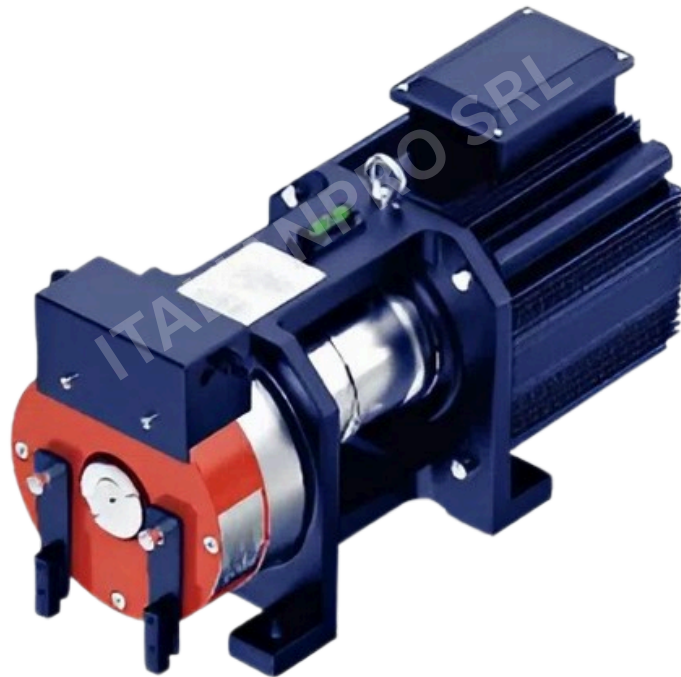




# ITALIANPRO

ELEVATOR GEARED-GEARLESS  
MACHINES & COMPONENTS

## PROI130B Series





# ITALIANPRO

## ELEVATOR GEARED-GEARLESS MACHINES & COMPONENTS

### Features

Load:630~2000kg

Roping:2:1

Voltage:380V

IP Code:IP41

Brake Vol:DC110V

Speed:0.5~2m/s

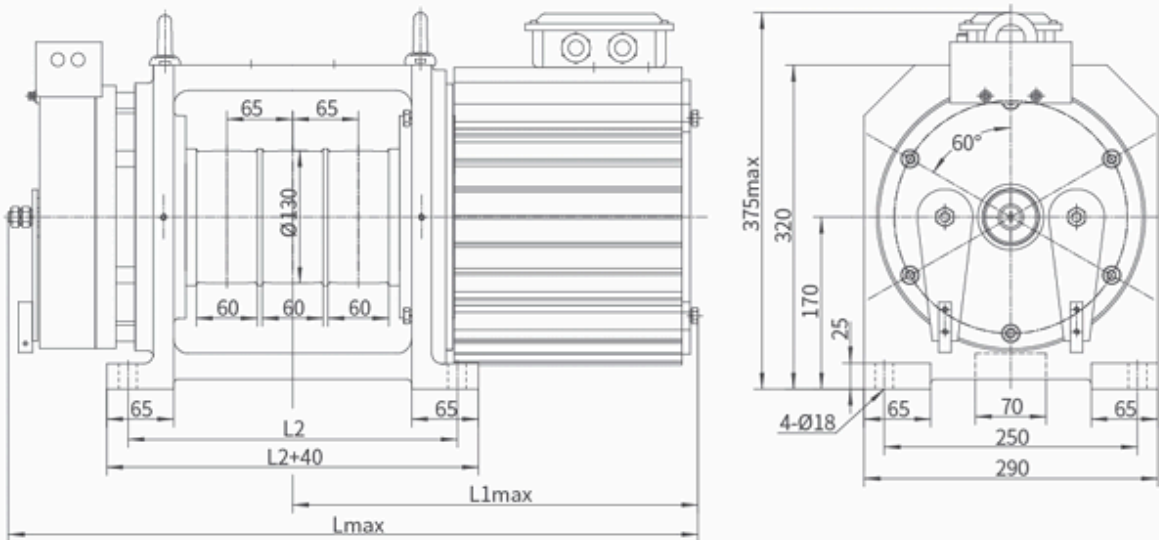
Static Load:5000kg

INS.Class:F

Poles:16

Working System:S5-40%

### Overall Dimensions



### Size Specification Table

(Spec.)	number of slots	L (mm)	L1 (mm)	L2 (mm)
PROD800/1000	3	685	405	325
PROD800/1000	4	750	435	390
PROD1250/1350	4	760	445	390
PROD1250/1350	5	825	475	455
PROD1600	5	860	510	455
PROD2000	5	910	560	455



# ITALIANPRO

## ELEVATOR GEARED-GEARLESS MACHINES & COMPONENTS

### PROI130B Series Gearless Traction Machine Specification (Roping 2:1)

Type	Load (kg)	Speed (m/s)	Power (kW)	Current(A) 380V	Speed (rpm)	Frequency (Hz)	Torque (N.m)	Sheave (mm)	Rope n <sub>x</sub> a-b	Brake current (A)	Net Weight (kg)
PROD800	800	1.0	5.4	11.4	294	39.2	175	130	3x30-65/4x30-65	1.75	180
	800	1.6	8.6	17.9	470	62.7	175	130	3x30-65/4x30-65	1.75	180
	800	1.75	9.4	23.7	514	68.5	175	130	3x30-65/4x30-65	1.75	180
	800	2.0	10.8	23.7	588	78.4	175	130	3x30-65/4x30-65	1.75	180
PROD1000	1000	1.0	6.8	14.3	294	39.2	220	130	3x30-65/4x30-65	1.75	180
	1000	1.6	10.8	22.5	470	62.7	220	130	3x30-65/4x30-65	1.75	180
	1000	1.75	11.8	29.7	514	68.5	220	130	3x30-65/4x30-65	1.75	180
	1000	2.0	13.5	29.7	588	78.4	220	130	3x30-65/4x30-65	1.75	180
PROD1250	1250	1.0	8.5	18.1	294	39.2	275	130	4x30-65/5x30-65	1.75	215
	1250	1.6	13.5	27.3	470	62.7	275	130	4x30-65/5x30-65	1.75	215
	1250	1.75	14.8	33.4	514	68.5	275	130	4x30-65/5x30-65	1.75	215
	1250	2.0	16.9	33.4	588	78.4	275	130	4x30-65/5x30-65	1.75	215
PROD1350	1350	1.0	9.2	19.7	294	39.2	300	130	4x30-65/5x30-65	1.75	215
	1350	1.6	14.8	29.8	470	62.7	300	130	4x30-65/5x30-65	1.75	215
	1350	1.75	16.1	36.5	514	68.5	300	130	4x30-65/5x30-65	1.75	215
	1350	2.0	18.5	36.5	588	78.4	300	130	4x30-65/5x30-65	1.75	215
PROD1600	1600	1.0	10.8	23.3	294	39.2	350	130	5x30-65	1.75	240
	1600	1.6	17.2	36.9	470	62.7	350	130	5x30-65	1.75	240
	1600	1.75	18.8	45.3	514	68.5	350	130	5x30-65	1.75	240
	1600	2.0	21.5	45.3	588	78.4	350	130	5x30-65	1.75	240
PROD2000	2000	0.5	6.8	19.1	147	19.6	440	130	5x30-65	2	260
	2000	1.0	13.5	29.8	294	39.2	440	130	5x30-65	2	260
	2000	1.6	21.7	46	470	62.7	440	130	5x30-65	2	260
	2000	1.75	23.7	59.5	514	68.5	440	130	5x30-65	2	260
	2000	2.0	27.1	59.5	588	78.4	440	130	5x30-65	2	260