



ITALIANPRO

ELEVATOR GEARED-GEARLESS
MACHINES & COMPONENTS

PRO1100B Series





ITALIANPRO

ELEVATOR GEARED-GEARLESS MACHINES & COMPONENTS

Features

Load:620~2000kg

Speed:0.5~2.5m/s

Roping:2:1, 1:1

Static Load:5000kg

Voltage:380V

INS.Class:F

IP Code:IP41

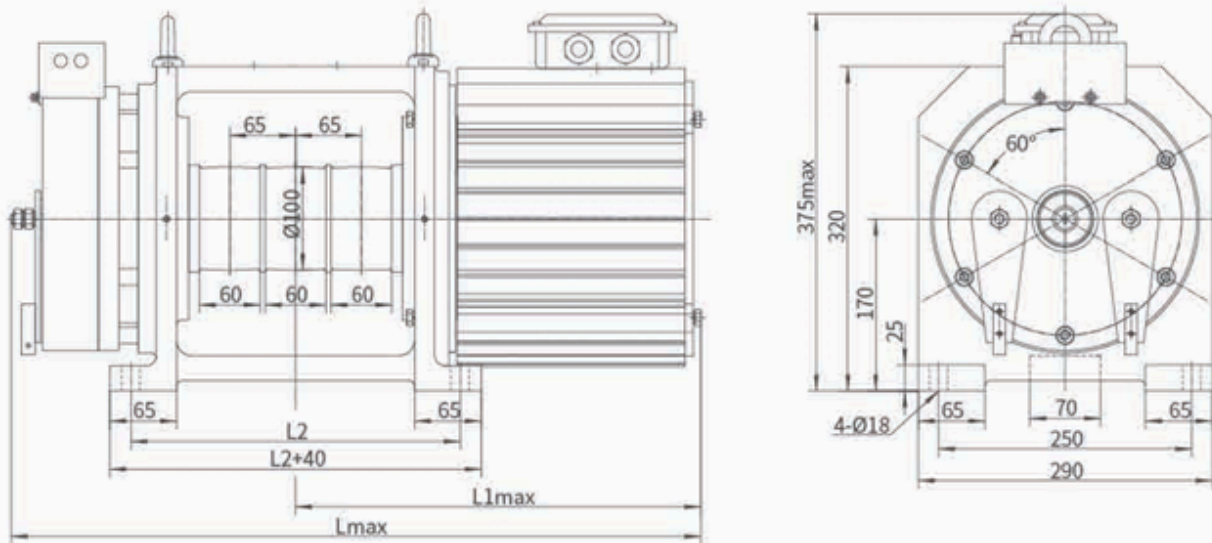
Poles:16

Brake Vol:DC110V

Brake Current:1.75A

Working System:S5-40%

Overall Dimensions



Size Specification Table

(Roping)	(Spec.)	number of slots	L (mm)	L1 (mm)	L2 (mm)
2:1	PROD800/1000	3	685	405	325
2:1	PROD800/1000	4	750	435	390
2:1	PROD1250/1350	4	760	445	390
2:1	PROD1250/1350	5	825	475	455
2:1	PROD1600	5	860	510	455
2:1	PROD2000	5	910	560	455
1:1	PROD630Y	4	760	445	390
1:1	PROD800Y	5	860	510	455
1:1	PROD1000Y	5	910	560	455



ITALIANPRO

ELEVATOR GEARED-GEARLESS MACHINES & COMPONENTS

PROI100B Series Gearless Traction Machine Specification (Roping 2:1)

Type	Load (kg)	Speed (m/s)	Power (kW)	Current(A) 380V	Speed (rpm)	Frequency (Hz)	Torque (N.m)	Sheave (mm)	Rope nxa-b	Net Weight (kg)
FXPD800	800	1.0	5.4	11	382	50.9	135	100	3x30-65/4x30-65	160
	800	1.5	8.1	18.3	573	76.4	135	100	3x30-65/4x30-65	160
	800	1.6	8.6	18.3	611	81.5	135	100	3x30-65/4x30-65	160
FXPD1000	1000	1.0	6.8	14	382	50.9	170	100	3x30-65/4x30-65	160
	1000	1.5	10.2	23	573	76.4	170	100	3x30-65/4x30-65	160
	1000	1.6	10.9	23	611	81.5	170	100	3x30-65/4x30-65	160
FXPD1250	1250	1.0	8.4	17.3	382	50.9	210	100	4x30-65/5x30-65	180
	1250	1.5	12.6	25.6	573	76.4	210	100	4x30-65/5x30-65	180
	1250	1.6	13.4	25.6	611	81.5	210	100	4x30-65/5x30-65	180
FXPD1350	1350	1.0	9.2	19	382	50.9	230	100	4x30-65/5x30-65	180
	1350	1.5	13.8	28	573	76.4	230	100	4x30-65/5x30-65	180
	1350	1.6	14.7	28	611	81.5	230	100	4x30-65/5x30-65	180
FXPD1600	1600	1.0	10.8	22	382	50.9	270	100	5x30-65	200
	1600	1.5	16.2	35	573	76.4	270	100	5x30-65	200
	1600	1.6	17.3	35	611	81.5	270	100	5x30-65	200
FXPD2000	2000	0.5	6.8	14.8	191	25.5	340	100	5x30-65	220
	2000	1.0	13.6	27	382	50.9	340	100	5x30-65	220
	2000	1.5	20.4	46	573	76.4	340	100	5x30-65	220
	2000	1.6	21.8	46	611	81.5	340	100	5x30-65	220

PROI100B Series Gearless Traction Machine Specification (Roping 1:1)

Type	Load (kg)	Speed (m/s)	Power (kW)	Current(A) 380V	Speed (rpm)	Frequency (Hz)	Torque (N.m)	Sheave (mm)	Rope nxa-b	Net Weight (kg)
PROD630Y	630	1.0	4.2	9	191	25.5	210	100	4x30-65	180
	630	1.5	6.3	13.8	287	38.3	210	100	4x30-65	180
	630	1.6	6.7	13.8	306	40.8	210	100	4x30-65	180
	630	1.75	7.3	17.3	334	44.5	210	100	4x30-65	180
	630	2.0	8.4	17.3	382	50.9	210	100	4x30-65	180
PROD800Y	800	1.0	5.4	11.5	191	25.5	270	100	5x30-65	200
	800	1.5	8.1	18	287	38.3	270	100	5x30-65	200
	800	1.6	8.7	18	306	40.8	270	100	5x30-65	200
	800	1.75	9.4	22	334	44.5	270	100	5x30-65	200
	800	2.0	10.8	22	382	50.9	270	100	5x30-65	200
	800	2.5	13.5	28.5	478	63.7	270	100	5x30-65	200
PROD1000Y	1000	1.0	6.8	14.8	191	25.5	340	100	5x30-65	220
	1000	1.5	10.2	23	287	38.3	340	100	5x30-65	220
	1000	1.6	10.9	23	306	40.8	340	100	5x30-65	220
	1000	1.75	11.9	27	334	44.5	340	100	5x30-65	220
	1000	2.0	13.6	27	382	50.9	340	100	5x30-65	220
	1000	2.5	17	36	478	63.7	340	100	5x30-65	220