



ITALIANPRO

ELEVATOR GEARED-GEARLESS
MACHINES & COMPONENTS

PRO1100A Series





ITALIANPRO

ELEVATOR GEARED-GEARLESS MACHINES & COMPONENTS

Features

Load:450~800kg

Speed:0.5~1.0m/s

Roping:2:1

Static Load:3000kg

Voltage:380V、220V

INS.Class:F

IP Code:IP41

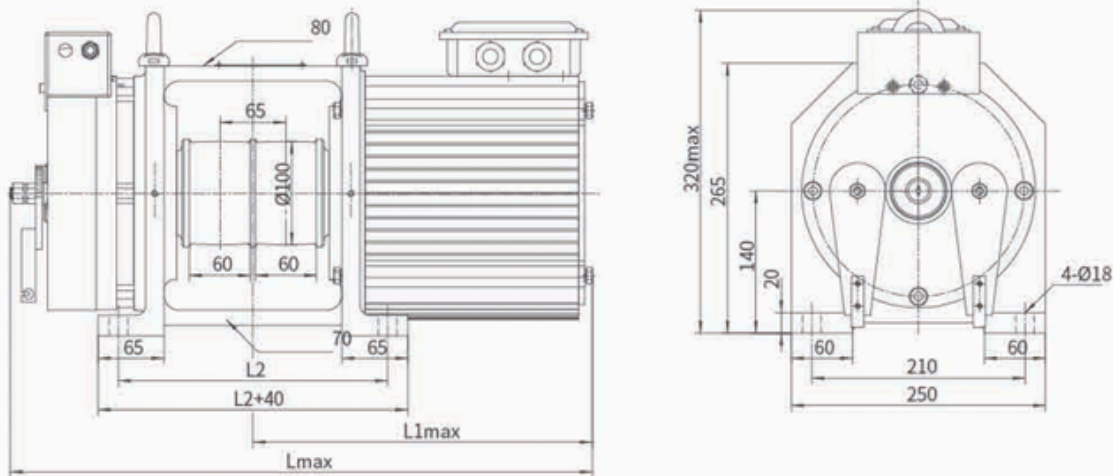
Poles:16

Brake Vol:DC110V

Brake Current:1.5A

Working System:S5-40%

Overall Dimensions



Size Specification Table

(Roping)	(Spec.)	number of slots	L (mm)	L1 (mm)	L2 (mm)
2:1	PROD450/630	2	575	335	265
2:1	PROD630	3	640	370	330
2:1	PROD800	3	680	410	330
1:1	PROD320Y/400Y	2	575	335	265
1:1	PROD450Y	2	615	375	265
1:1	PROD450Y	3	680	410	330



ITALIANPRO

ELEVATOR GEARED-GEARLESS MACHINES & COMPONENTS

PROI100A Series Gearless Traction Machine Specification (Roping 2:1)

Type	Load (kg)	Speed (m/s)	Power (kW)	Current(A) 380V/220V	Speed (rpm)	Frequency (Hz)	Torque (N.m)	Sheave (mm)	Rope nxa-b	Net Weight (kg)
PROD450	450	0.5	1.6	4/6.9	191	25.5	80	100	2x30-65	95
	450	0.63	1.9	5/8.7	241	32.1	80	100	2x30-65	95
	450	1.0	3.2	6.5/11.2	382	50.9	80	100	2x30-65	95
PROD630	630	0.5	2.2	5.5/9.5	191	25.5	110	100	2x30-65/3x30-65	95
	630	0.63	2.7	6.3/10.9	241	32.1	110	100	2x30-65/3x30-65	95
	630	1.0	4.4	9/15.6	382	50.9	110	100	2x30-65/3x30-65	95
	630	1.5	6.6	15	573	76.4	110	100	2x30-65/3x30-65	95
	630	1.6	7	15	611	81.5	110	100	2x30-65/3x30-65	95
PROD800	800	0.5	2.7	8	191	25.5	135	100	3x30-65	130
	800	0.63	3.4	8	241	32.1	135	100	3x30-65	130
	800	1.0	5.4	11	382	50.9	135	100	3x30-65	130
	800	1.5	8.1	18.3	573	76.4	135	100	3x30-65	130
	800	1.6	8.6	18.3	611	81.5	135	100	3x30-65	130

PROI100A Series Gearless Traction Machine Specification (Roping 1:1)

Type	Load (kg)	Speed (m/s)	Power (kW)	Current(A) 380V/220V	Speed (rpm)	Frequency (Hz)	Torque (N.m)	Sheave (mm)	Rope nxa-b	Net Weight (kg)
PROD320Y	320	0.3	0.7	3.9/6.8	57	7.6	110	100	2x30-65	95
	320	0.4	0.9	3.9/6.8	76	10.1	110	100	2x30-65	95
	320	0.5	1.1	4.4/7.6	95	12.7	110	100	2x30-65	95
	320	0.63	1.3	4.4/7.6	120	16	110	100	2x30-65	95
	320	1.0	2.2	5.8/10	191	25.5	110	100	2x30-65	95
PROD400Y	400	0.3	0.9	4.8/8.3	57	7.6	135	100	2x30-65	95
	400	0.4	1.1	4.8/8.3	76	10.1	135	100	2x30-65	95
	400	0.5	1.3	5.4/9.4	95	12.7	135	100	2x30-65	95
	400	0.63	1.7	5.4/9.4	120	16	135	100	2x30-65	95
	400	1.0	2.7	7.2/12.4	191	25.5	135	100	2x30-65	95
PROD450Y	450	0.4	1.3	5.6/9.8	76	10.1	160	100	2x30-65/3x30-65	130
	450	0.5	1.6	6.9/12	95	12.7	160	100	2x30-65/3x30-65	130
	450	0.63	1.9	6.9/12	120	16	160	100	2x30-65/3x30-65	130
	450	1.0	3.2	8.7/15	191	25.5	160	100	2x30-65/3x30-65	130