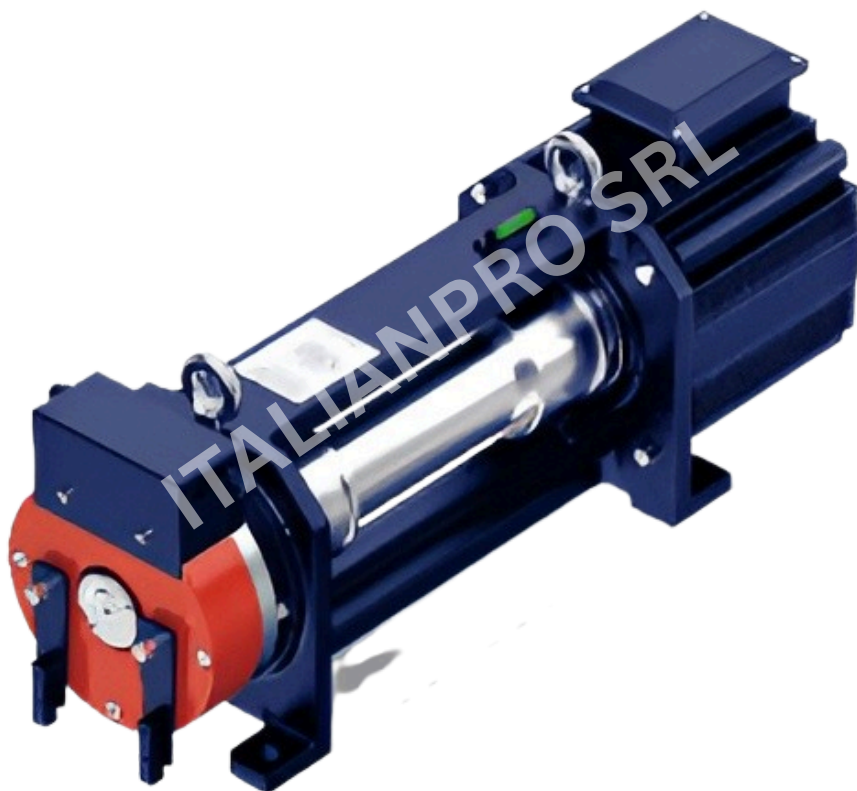




# ITALIANPRO

ELEVATOR GEARED-GEARLESS  
MACHINES & COMPONENTS

## PROI100 - FG Series

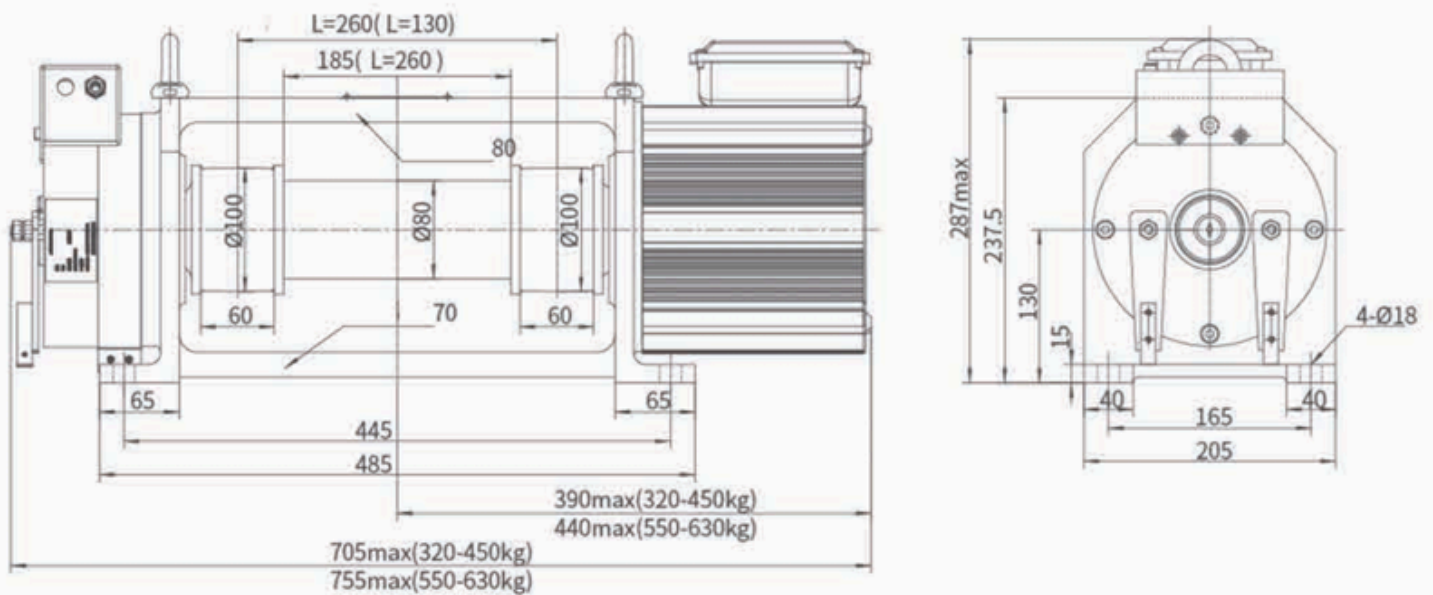




# ITALIANPRO

## ELEVATOR GEARED-GEARLESS MACHINES & COMPONENTS

### Overall Dimensions





# ITALIANPRO

## ELEVATOR GEARED-GEARLESS MACHINES & COMPONENTS

### PROI100-FG Series Gearless Traction Machine Specification (Roping 2:1)

| Type    | Load (kg) | Speed (m/s) | Power (kW) | Current(A) 380V/220V | Speed (rpm) | Frequency (Hz) | Torque (N.m) | Sheave (mm) | Rope n <sub>x</sub> a-b | Net Weight (kg) |
|---------|-----------|-------------|------------|----------------------|-------------|----------------|--------------|-------------|-------------------------|-----------------|
| PROD320 | 320       | 0.3         | 0.7        | 4.4/4.4              | 115         | 15.3           | 55           | 100         | 2×30-260                | 80              |
|         | 320       | 0.4         | 0.9        | 4.4/4.4              | 153         | 20.4           | 55           | 100         | 2×30-260                | 80              |
|         | 320       | 0.5         | 1.1        | 3/5.2                | 191         | 25.5           | 55           | 100         | 2×30-260                | 80              |
|         | 320       | 0.63        | 1.3        | 3/5.2                | 241         | 32.1           | 55           | 100         | 2×30-260                | 80              |
|         | 320       | 1.0         | 2.2        | 5.3/9.2              | 382         | 50.9           | 55           | 100         | 2×30-260                | 80              |
| PROD400 | 400       | 0.3         | 0.9        | 5.5/5.5              | 115         | 15.3           | 70           | 100         | 2×30-260                | 80              |
|         | 400       | 0.4         | 1.1        | 5.5/5.5              | 153         | 20.4           | 70           | 100         | 2×30-260                | 80              |
|         | 400       | 0.5         | 1.3        | 3.8/6.5              | 191         | 25.5           | 70           | 100         | 2×30-260                | 80              |
|         | 400       | 0.63        | 1.7        | 3.8/6.5              | 241         | 32.1           | 70           | 100         | 2×30-260                | 80              |
|         | 400       | 1.0         | 2.7        | 6.7/11.6             | 382         | 50.9           | 70           | 100         | 2×30-260                | 80              |
| PROD450 | 450       | 0.4         | 1.3        | 6.2/6.2              | 153         | 20.4           | 80           | 100         | 2×30-260                | 80              |
|         | 450       | 0.5         | 1.6        | 4.3/7.4              | 191         | 25.5           | 80           | 100         | 2×30-260                | 80              |
|         | 450       | 0.63        | 1.9        | 4.3/7.4              | 241         | 32.1           | 80           | 100         | 2×30-260                | 80              |
|         | 450       | 1.0         | 3.2        | 7.5/13               | 382         | 50.9           | 80           | 100         | 2×30-260                | 80              |
| PROD630 | 630       | 0.4         | 1.7        | 5.3/9.2              | 153         | 20.4           | 110          | 100         | 2×30-260                | 90              |
|         | 630       | 0.5         | 2.2        | 6.6/11.5             | 191         | 25.5           | 110          | 100         | 2×30-260                | 90              |
|         | 630       | 0.63        | 2.7        | 6.6/11.5             | 241         | 32.1           | 110          | 100         | 2×30-260                | 90              |
|         | 630       | 1.0         | 4.4        | 9/15.6               | 382         | 50.9           | 110          | 100         | 2×30-260                | 90              |