

ITALIANPRO

+39051269 190

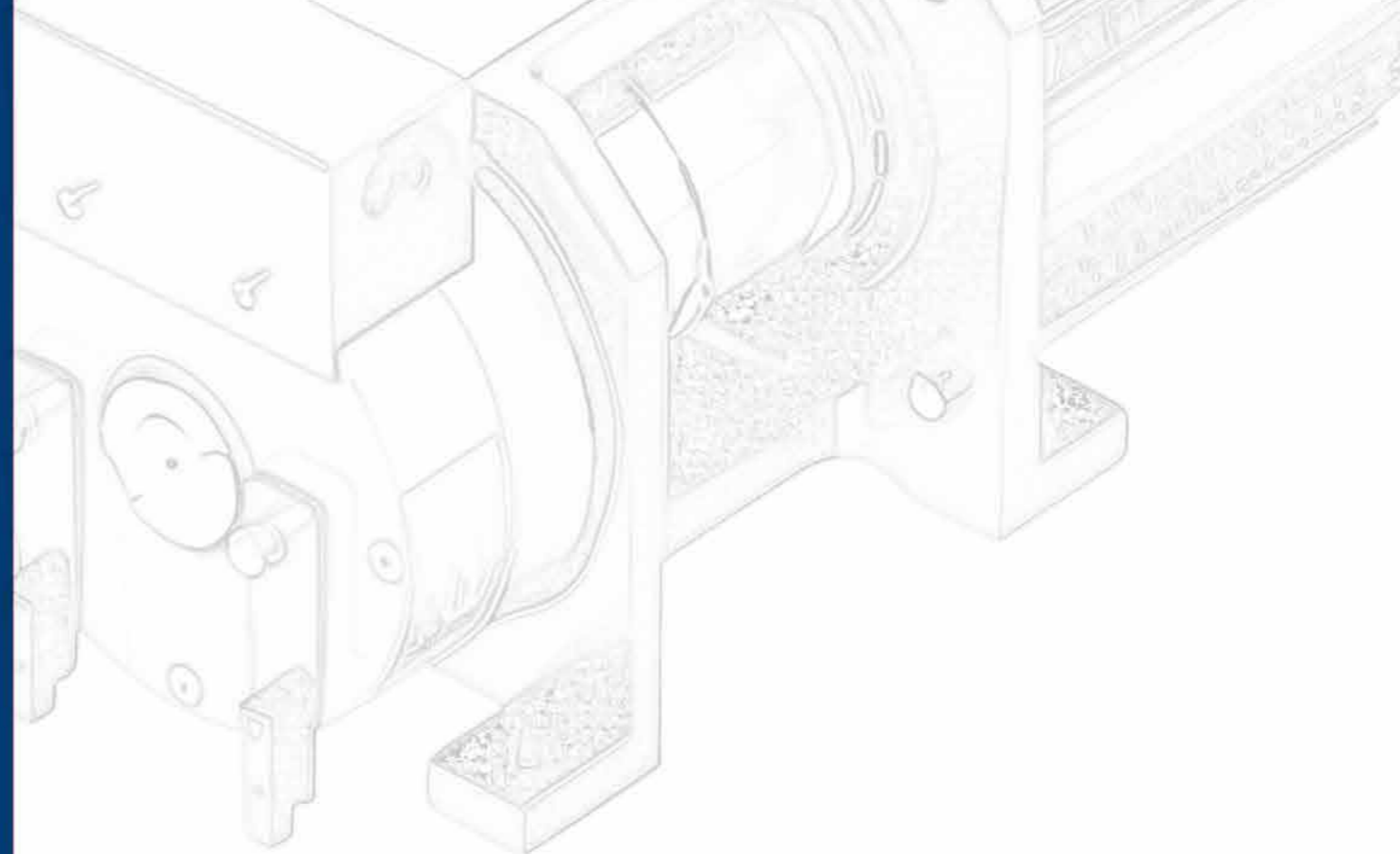
support@italianpro.com

Galleria Ugo Bassi 1, 40121 - Bologna, Italy



PRO

Ascending
Innovation in
Elevator
Technology



Index

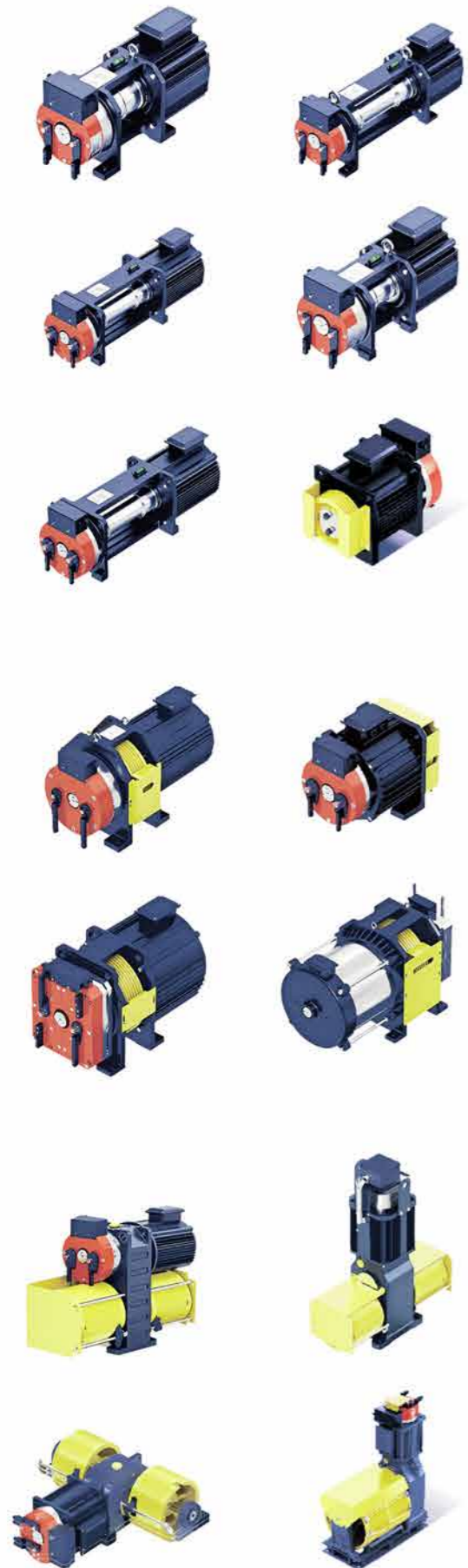
Gearless 01-58

Geared 59

Safety 60-67

Accessories 69-74

Catalogue



Belt Traction Machine	01-21
PROI65S/PROI86S	01
PROI65T/PROI86T	03
PROI80S	05
PROI80T	06
PROI100S	07
PROI100T	09
PROI100-FG	11
PROI 100X-FG	13
PROI100E-FG	15
PROI100A	17
PROI100B	19
PROI130B	21
PROI120C	23
Wire Rope Traction Machine	25-45
PROI150A	25
PROI150-FG	27
PROI200-FG	29
PROI160XB	31
PROI200-2	33
PROI200-1/PROI240	35
PROI240L	37
PROI 200T/ PROI240T	39
PROI320T	41
PROI320	43
PROI320A	45
PROI32.N	47
Positive Drive Machine	49-55
PROI268V/PROI268H	49
PROI125W	51
PROI128	53
PROI135	55
Low Voltage Machine	57
Accessories	58



Geared

	59
PRO	59

Safety

	60-67
PRO00101	60
PRO00134	61
PRO00338	62
PRO00053	63
PRO00038	65
PRO00343	66
PRO80E	67

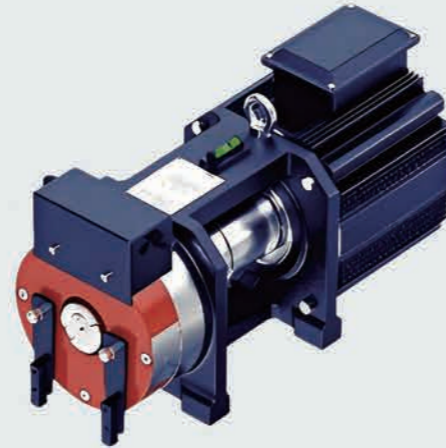
Accessories

	69-74
PRO00108	69
PRO00106	70
PRO00008	71
PRO00015	72
PRO210A	73
PRO210BT	74

PROI65S/PROI86S Series

Features

Load:320~450kg Speed:0.3~1.0m/s
 Roping:2:1 Static Load:3000kg
 Voltage:380V □ 220V INS.Class:F
 IP Code:IP41 Poles:16
 Brake Vol:DC110V Brake Current:1.1A
 Working System:S5-25%

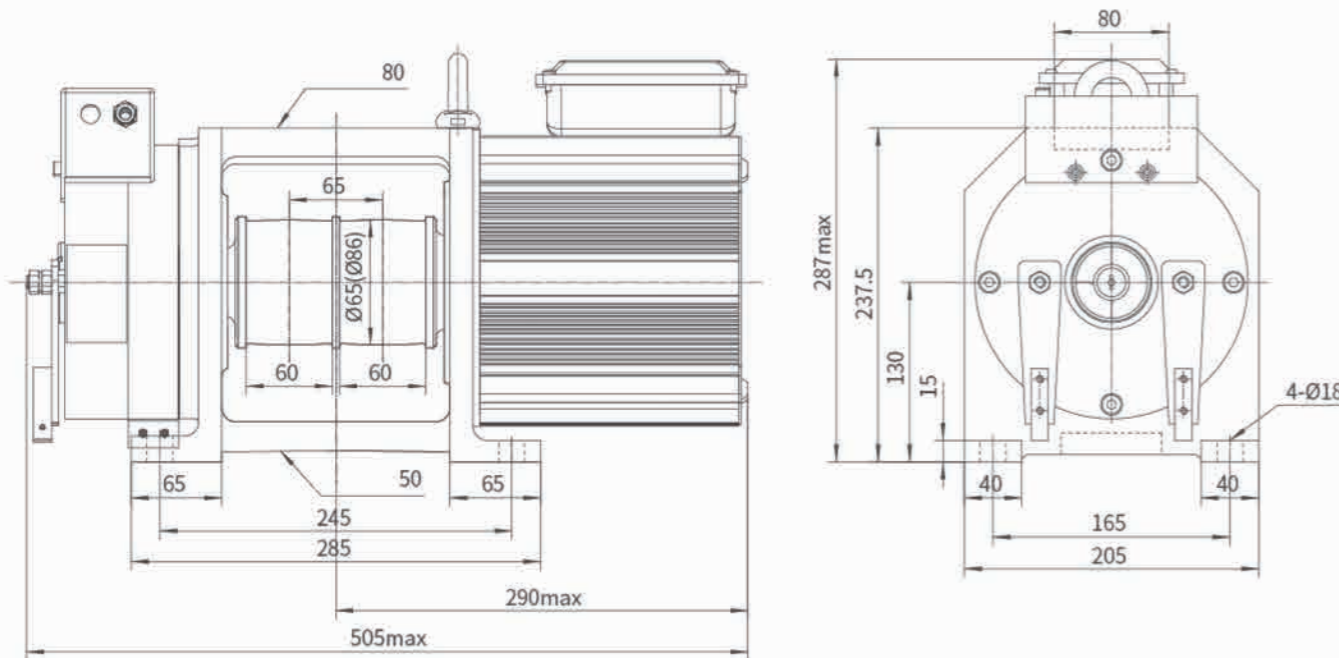


PROI65S Series Gearless Traction Machine Specification (Roping 2:1)

Type	Load (kg)	Speed (m/s)	Power (kW)	Current(A) 380V/220V	Speed (rpm)	Frequency (Hz)	Torque (N.m)	Sheave (mm)	Rope n×a-b	Net Weight (kg)
PROD320	320	0.3	0.7	3.7/3.7	176	23.5	36	65	2×30-65	65
	320	0.4	0.9	3.7/3.7	235	31.3	36	65	2×30-65	65
	320	0.5	1.1	4.7/4.7	294	39.2	36	65	2×30-65	65
PROD400	400	0.3	0.9	4.7/4.7	176	23.5	45	65	2×30-65	65
	400	0.4	1.1	4.7/4.7	235	31.3	45	65	2×30-65	65
	400	0.5	1.3	5.8/5.8	294	39.2	45	65	2×30-65	65
PROD450	450	0.3	1.0	5.2/5.2	176	23.5	50	65	2×30-65	65
	450	0.4	1.3	5.2/5.2	235	31.3	50	65	2×30-65	65
	450	0.5	1.6	6.5/6.5	294	39.2	50	65	2×30-65	65

Note: Non-standard 1:1 machine can be customized, please consult the technical department for specific parameter.

Overall Dimensions



Note: Motor and brake junction box all can be left or right to reduce the total height of the machine!

PROI86S Series Gearless Traction Machine Specification (Roping 2:1)

Type	Load (kg)	Speed (m/s)	Power (kW)	Current(A) 380V/220V	Speed (rpm)	Frequency (Hz)	Torque (N.m)	Sheave (mm)	Rope n×a-b	Net Weight (kg)
PROD320	320	0.3	0.7	3.9/3.9	133	17.7	50	86	2×30-65	65
	320	0.4	0.9	3.9/3.9	178	23.7	50	86	2×30-65	65
	320	0.5	1.1	3.4/5.9	222	29.6	50	86	2×30-65	65
	320	0.63	1.3	3.4/5.9	280	37.3	50	86	2×30-65	65
PROD400	400	0.3	0.9	4.7/4.7	133	17.7	60	86	2×30-65	65
	400	0.4	1.1	4.7/4.7	178	23.7	60	86	2×30-65	65
	400	0.5	1.3	4.2/7.2	222	29.6	60	86	2×30-65	65
	400	0.63	1.7	4.2/7.2	280	37.3	60	86	2×30-65	65
PROD450	400	1.0	2.7	5.9/10.3	444	59.2	60	86	2×30-65	65
	450	0.4	1.3	5.4/5.4	178	23.7	70	86	2×30-65	65
	450	0.5	1.6	4.8/8.3	222	29.6	70	86	2×30-65	65
	450	0.63	1.9	4.8/8.3	280	37.3	70	86	2×30-65	65
	450	1.0	3.2	6.9/12	444	59.2	70	86	2×30-65	65

Note: Other non-standard parameter please contact the technical department!

PROI65T/PROI86T Series

Features

Load:320~450kg
 Roping:2:1
 Voltage:380V、220V
 IP Code:IP41
 Brake Vol:DC110V
 Working System:S5-25%
 Speed:0.3~1.0m/s
 Static Load:3000kg
 INS.Class:F
 Poles:16
 Brake Current:1.1A

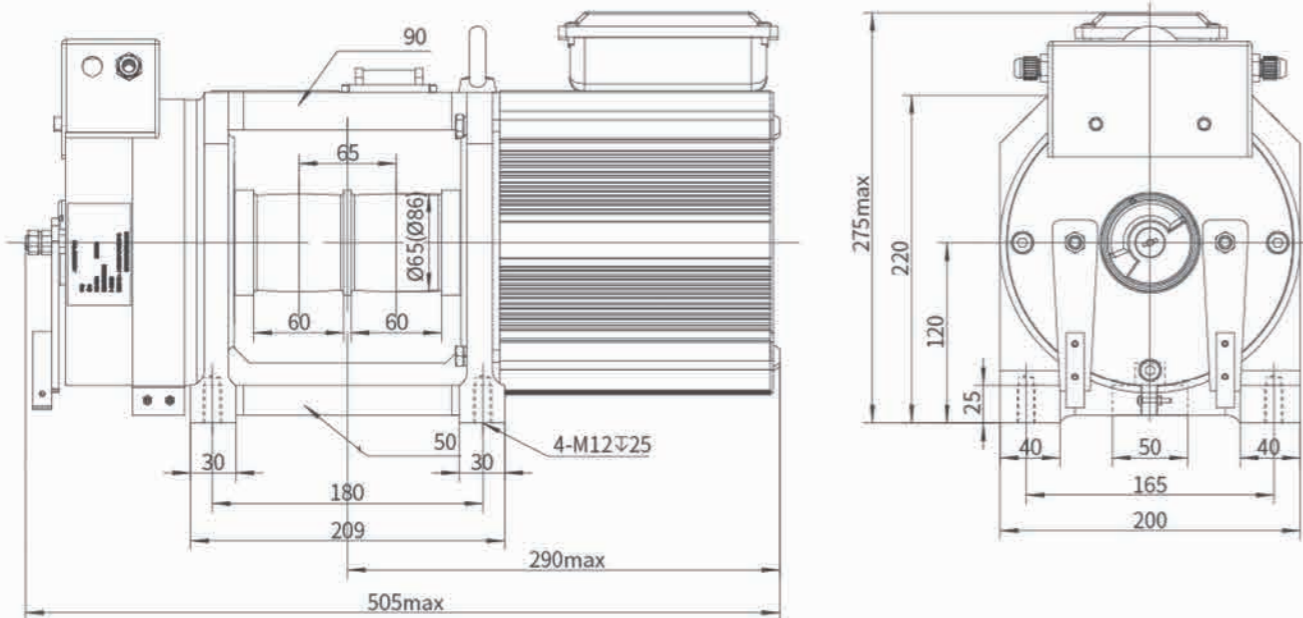


PROI65T Series Gearless Traction Machine Specification (Roping 2:1)

Type	Load (kg)	Speed (m/s)	Power (kW)	Current(A) 380V/220V	Speed (rpm)	Frequency (Hz)	Torque (N.m)	Sheave (mm)	Rope n×a-b	Net Weight (kg)
PROD320	320	0.3	0.7	3.7/3.7	176	23.5	36	65	2×30-65	65
	320	0.4	0.9	3.7/3.7	235	31.3	36	65	2×30-65	65
	320	0.5	1.1	4.7/4.7	294	39.2	36	65	2×30-65	65
PROD400	400	0.3	0.9	4.7/4.7	176	23.5	45	65	2×30-65	65
	400	0.4	1.1	4.7/4.7	235	31.3	45	65	2×30-65	65
	400	0.5	1.3	5.8/5.8	294	39.2	45	65	2×30-65	65
PROD450	450	0.3	1.0	5.2/5.2	176	23.5	50	65	2×30-65	65
	450	0.4	1.3	5.2/5.2	235	31.3	50	65	2×30-65	65
	450	0.5	1.6	6.5/6.5	294	39.2	50	65	2×30-65	65

Note: Non-standard 1:1 machine can be customized, please consult the technical department for specific parameter.

Overall Dimensions



Note: Motor and brake junction box all can be left or right to reduce the total height of the machine!

PROI86T Series Gearless Traction Machine Specification (Roping 2:1)

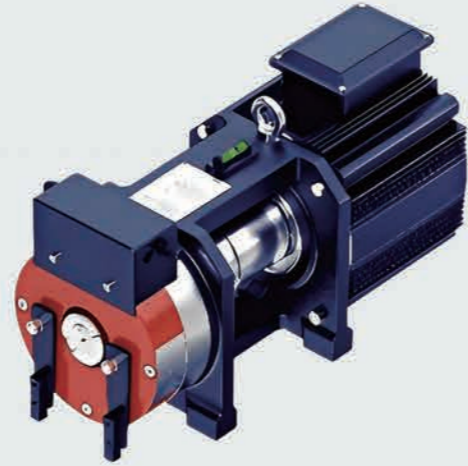
Type	Load (kg)	Speed (m/s)	Power (kW)	Current(A) 380V/220V	Speed (rpm)	Frequency (Hz)	Torque (N.m)	Sheave (mm)	Rope n×a-b	Net Weight (kg)
PROD320	320	0.3	0.7	3.9/3.9	133	17.7	50	86	2×30-65	65
	320	0.4	0.9	3.9/3.9	178	23.7	50	86	2×30-65	65
	320	0.5	1.1	3.4/5.9	222	29.6	50	86	2×30-65	65
	320	0.63	1.3	3.4/5.9	280	37.3	50	86	2×30-65	65
	320	1.0	2.2	4.9/8.5	444	59.2	50	86	2×30-65	65
PROD400	400	0.3	0.9	4.7/4.7	133	17.7	60	86	2×30-65	65
	400	0.4	1.1	4.7/4.7	178	23.7	60	86	2×30-65	65
	400	0.5	1.3	4.2/7.2	222	29.6	60	86	2×30-65	65
	400	0.63	1.7	4.2/7.2	280	37.3	60	86	2×30-65	65
	400	1.0	2.7	5.9/10.3	444	59.2	60	86	2×30-65	65
PROD450	450	0.4	1.3	5.4/5.4	178	23.7	70	86	2×30-65	65
	450	0.5	1.6	4.8/8.3	222	29.6	70	86	2×30-65	65
	450	0.63	1.9	4.8/8.3	280	37.3	70	86	2×30-65	65
	450	1.0	3.2	6.9/12	444	59.2	70	86	2×30-65	65

Note: Other non-standard parameter please contact the technical department!

PROI80S Series

Features

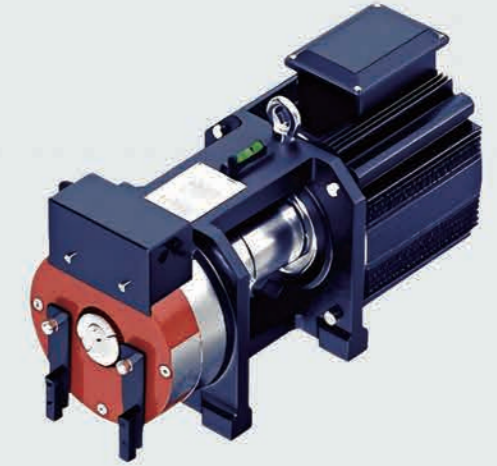
Load:320~400kg Speed:0.3~0.5m/s
 Roping:1:1 Static Load:3000kg
 Voltage:380V、220V INS.Class:F
 IP Code:IP41 Poles:16
 Brake Vol:DC110V Brake Current:1.1A
 Working System:S5-25%



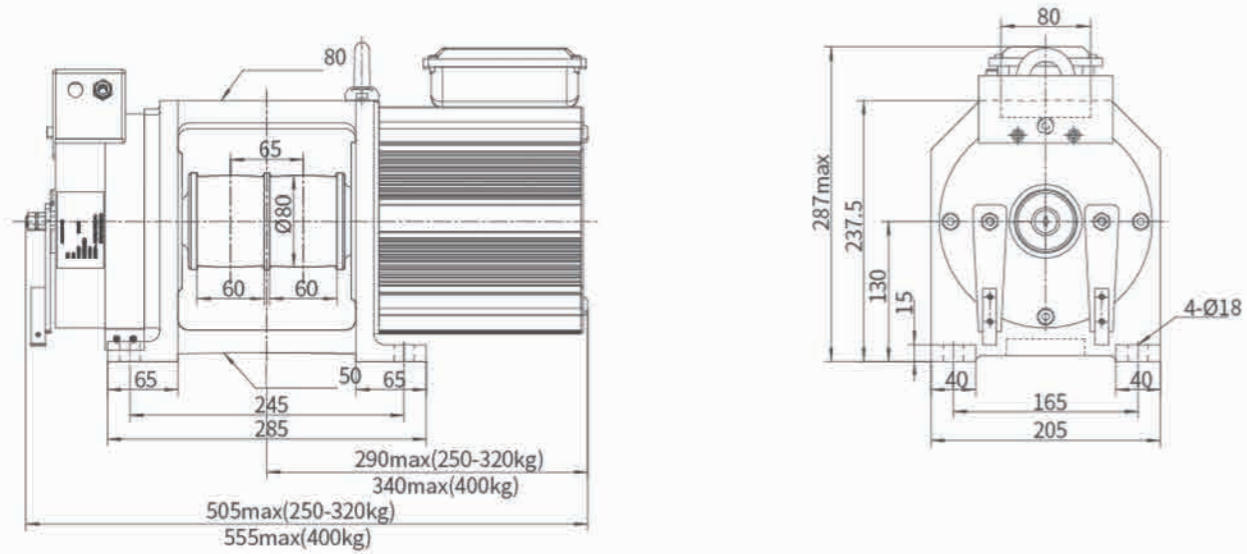
PROI80T Series

Features

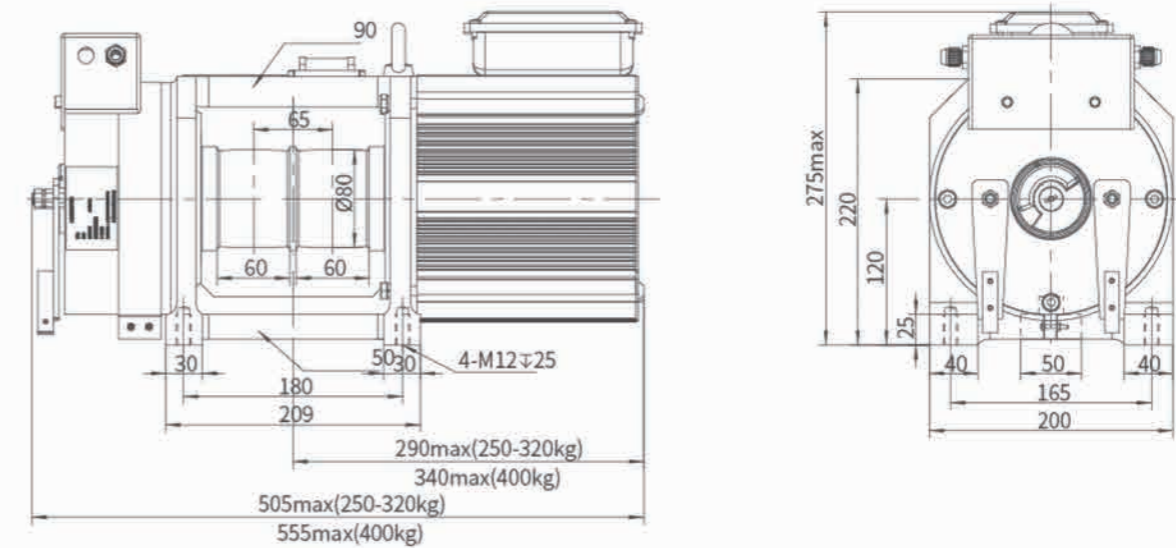
Load:320~400kg Speed:0.3~0.5m/s
 Roping:1:1 Static Load:3000kg
 Voltage:380V、220V INS.Class:F
 IP Code:IP41 Poles:16
 Brake Vol:DC110V Brake Current:1.1A
 Working System:S5-25%



Overall Dimensions



Overall Dimensions



PROI80S Series Gearless Traction Machine Specification (Roping 1:1)

Type	Load (kg)	Speed (m/s)	Power (kW)	Current(A) 380V/220V	Speed (rpm)	Frequency (Hz)	Torque (N.m)	Sheave (mm)	Rope n×a-b	Net Weight (kg)
PROD250Y	250	0.3	0.52	4.5/4.5	72	9.6	70	80	2×30-65	65
	250	0.4	0.7	4.5/4.5	96	12.8	70	80	2×30-65	65
	250	0.5	0.9	3.1/5.3	119	15.9	70	80	2×30-65	65
PROD320Y	320	0.3	0.7	5.8/5.8	72	9.6	85	80	2×30-65	75
	320	0.4	0.9	5.8/5.8	96	12.8	85	80	2×30-65	75
	320	0.5	1.1	3.9/6.8	119	15.9	85	80	2×30-65	75
PROD400Y	400	0.3	0.9	6.5/6.5	72	9.6	105	80	2×30-65	75
	400	0.4	1.1	6.5/6.5	96	12.8	105	80	2×30-65	75
	400	0.5	1.3	4.2/7.2	119	15.9	105	80	2×30-65	75

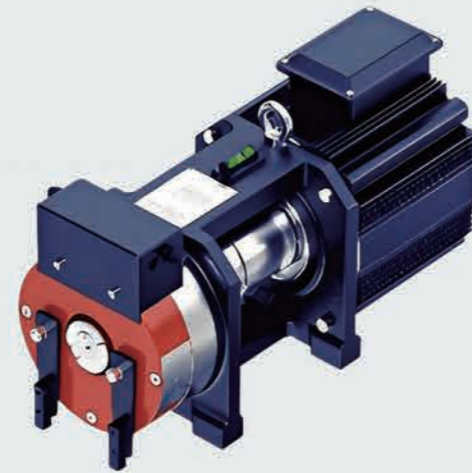
PROI80T Series Gearless Traction Machine Specification (Roping 1:1)

Type	Load (kg)	Speed (m/s)	Power (kW)	Current(A) 380V/220V	Speed (rpm)	Frequency (Hz)	Torque (N.m)	Sheave (mm)	Rope n×a-b	Net Weight (kg)
PROD250Y	250	0.3	0.52	4.5/4.5	72	9.6	70	80	2×30-65	65
	250	0.4	0.7	4.5/4.5	96	12.8	70	80	2×30-65	65
	250	0.5	0.9	3.1/5.3	119	15.9	70	80	2×30-65	65
PROD320Y	320	0.3	0.7	5.8/5.8	72	9.6	85	80	2×30-65	75
	320	0.4	0.9	5.8/5.8	96	12.8	85	80	2×30-65	75
	320	0.5	1.1	3.9/6.8	119	15.9	85	80	2×30-65	75
PROD400Y	400	0.3	0.9	6.5/6.5	72	9.6	105	80	2×30-65	75
	400	0.4	1.1	6.5/6.5	96	12.8	105	80	2×30-65	75
	400	0.5	1.3	4.2/7.2	119	15.9	105	80	2×30-65	75

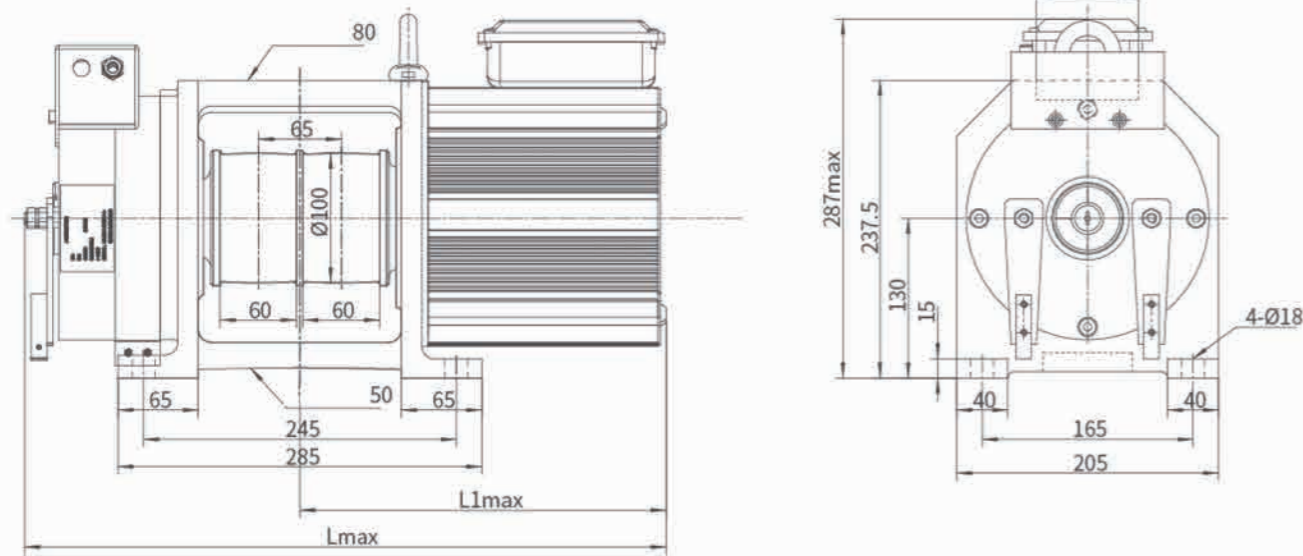
PROI100S Series

Features

Load:320~450kg Speed:0.3~1.0m/s
 Roping:2:1, 1:1 Static Load:3000kg
 Voltage:380V、220V INS.Class:F
 IP Code:IP41 Poles:16
 Brake Vol:DC110V Brake Current:1.1A
 Working System:S5-25%



Overall Dimensions



Size Specification Table

(Roping)	(Spec.)	(mm)	(mm)
2:1	PROD320/400/450	505	290
1:1	PROD250Y	505	290
1:1	PROD320Y/400Y	555	340

Note: Motor and brake junction box all can be left or right to reduce the total height of the machine!

PROI100S Series Gearless Traction Machine Specification (Roping 2:1)

Type	Load (kg)	Speed (m/s)	Power (kW)	Current(A) 380V/220V	Speed (rpm)	Frequency (Hz)	Torque (N.m)	Sheave (mm)	Rope n×a-b	Net Weight (kg)
PROD320	320	0.3	0.7	4.4/4.4	115	15.3	55	100	2×30-65	70
	320	0.4	0.9	4.4/4.4	153	20.4	55	100	2×30-65	70
	320	0.5	1.1	3/5.2	191	25.5	55	100	2×30-65	70
	320	0.63	1.3	3/5.2	241	32.1	55	100	2×30-65	70
	320	1.0	2.2	5.3/9.2	382	50.9	55	100	2×30-65	70
PROD400	400	0.3	0.9	5.5/5.5	115	15.3	70	100	2×30-65	70
	400	0.4	1.1	5.5/5.5	153	20.4	70	100	2×30-65	70
	400	0.5	1.3	3.8/6.5	191	25.5	70	100	2×30-65	70
	400	0.63	1.7	3.8/6.5	241	32.1	70	100	2×30-65	70
	400	1.0	2.7	6.7/11.6	382	50.9	70	100	2×30-65	70
PROD450	450	0.4	1.3	6.2/6.2	153	20.4	80	100	2×30-65	70
	450	0.5	1.6	4.3/7.4	191	25.5	80	100	2×30-65	70
	450	0.63	1.9	4.3/7.4	241	32.1	80	100	2×30-65	70
	450	1.0	3.2	7.5/13	382	50.9	80	100	2×30-65	70

PROI100S Series Gearless Traction Machine Specification (Roping 1:1)

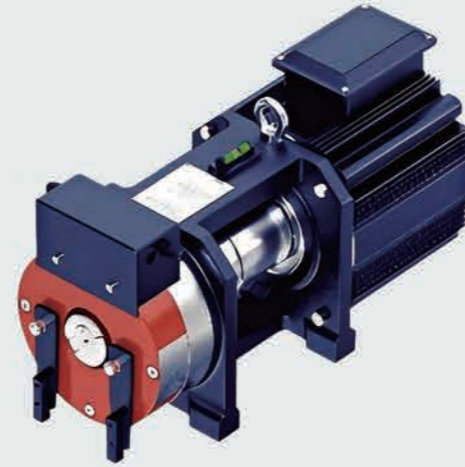
Type	Load (kg)	Speed (m/s)	Power (kW)	Current(A) 380V/220V	Speed (rpm)	Frequency (Hz)	Torque (N.m)	Sheave (mm)	Rope n×a-b	Net Weight (kg)
PROD250Y	250	0.3	0.52	3/5.2	57	7.6	85	100	2×30-65	70
	250	0.4	0.7	3/5.2	76	10.1	85	100	2×30-65	70
	250	0.5	0.9	3.3/5.8	95	12.7	85	100	2×30-65	70
PROD320Y	320	0.3	0.7	3.6/6.2	57	7.6	110	100	2×30-65	80
	320	0.4	0.9	3.6/6.2	76	10.1	110	100	2×30-65	80
	320	0.5	1.1	4.3/7.4	95	12.7	110	100	2×30-65	80
	320	0.63	1.3	4.3/7.4	120	16	110	100	2×30-65	80
PROD400Y	320	1.0	2.2	5.8/10	191	25.5	110	100	2×30-65	80
	400	0.3	0.9	4.5/7.8	57	7.6	135	100	2×30-65	80
	400	0.4	1.1	4.5/7.8	76	10.1	135	100	2×30-65	80
	400	0.5	1.3	5.3/9.2	95	12.7	135	100	2×30-65	80
PROD400Y	400	0.63	1.7	5.3/9.2	120	16	135	100	2×30-65	80
	400	1.0	2.7	7.2/12.5	191	25.5	135	100	2×30-65	80

Note: Other non-standard parameter please contact the technical department!

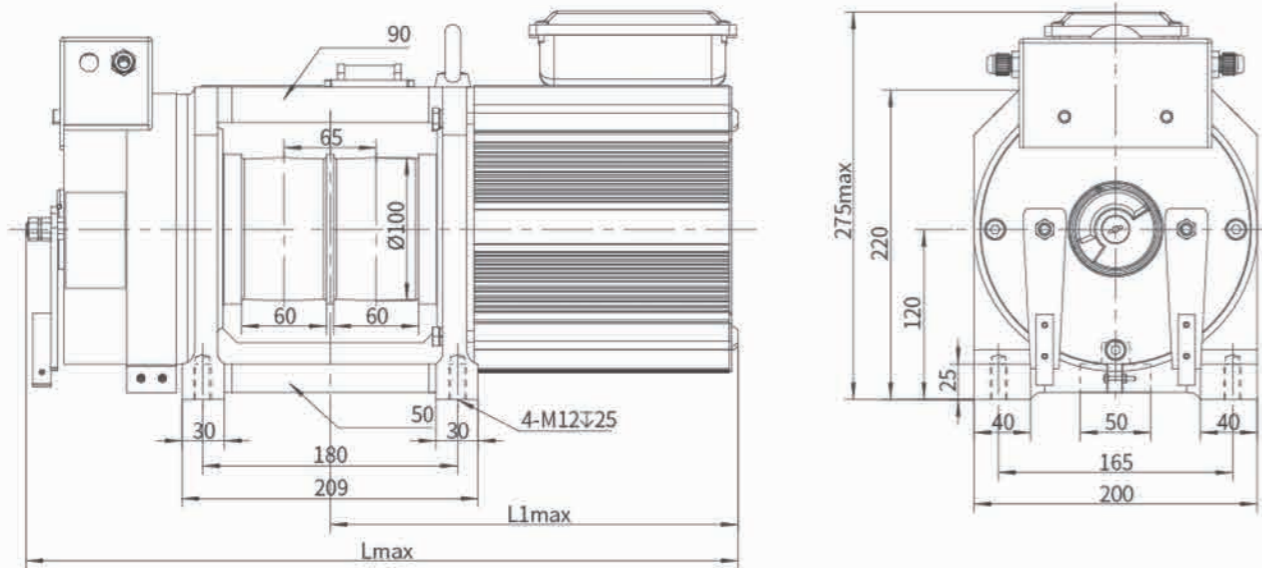
PRO1100T Series

Features

Load:320~450kg Speed:0.3~1.0m/s
 Roping:2:1,1:1 Static Load:3000kg
 Voltage:380V、220V INS.Class:F
 IP Code:IP41 Poles:16
 Brake Vol:DC110V Brake Current:1.1A
 Working System:S5-25%



Overall Dimensions



Size Specification Table

(Roping)	(Spec.)	L (mm)	L1 (mm)
2:1	PROD320/400/450	505	290
1:1	PROD250Y	505	290
1:1	PROD320Y/400Y	555	340

Note: Motor and brake junction box all can be left or right to reduce the total height of the machine!

PRO1100T Series Gearless Traction Machine Specification (Roping 2:1)

Type	Load (kg)	Speed (m/s)	Power (kW)	Current(A) 380V/220V	Speed (rpm)	Frequency (Hz)	Torque (N.m)	Sheave (mm)	Rope n×a-b	Net Weight (kg)
PROD320	320	0.3	0.7	4.4/4.4	115	15.3	55	100	2×30-65	70
	320	0.4	0.9	4.4/4.4	153	20.4	55	100	2×30-65	70
	320	0.5	1.1	3/5.2	191	25.5	55	100	2×30-65	70
	320	0.63	1.3	3/5.2	241	32.1	55	100	2×30-65	70
PROD400	400	0.3	0.9	5.5/5.5	115	15.3	70	100	2×30-65	70
	400	0.4	1.1	5.5/5.5	153	20.4	70	100	2×30-65	70
	400	0.5	1.3	3.8/6.5	191	25.5	70	100	2×30-65	70
	400	0.63	1.7	3.8/6.5	241	32.1	70	100	2×30-65	70
PROD450	400	1.0	2.7	6.7/11.6	382	50.9	70	100	2×30-65	70
	450	0.4	1.3	6.2/6.2	153	20.4	80	100	2×30-65	70
	450	0.5	1.6	4.3/7.4	191	25.5	80	100	2×30-65	70
	450	0.63	1.9	4.3/7.4	241	32.1	80	100	2×30-65	70
PROD450	450	1.0	3.2	7.5/13	382	50.9	80	100	2×30-65	70

PRO1100T Series Gearless Traction Machine Specification (Roping 1:1)

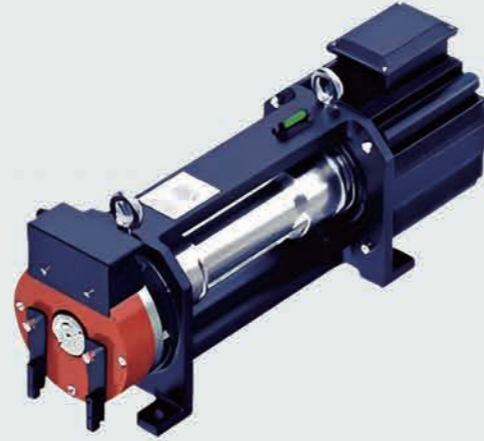
Type	Load (kg)	Speed (m/s)	Power (kW)	Current(A) 380V/220V	Speed (rpm)	Frequency (Hz)	Torque (N.m)	Sheave (mm)	Rope n×a-b	Net Weight (kg)
PROD250Y	250	0.3	0.52	3/5.2	57	7.6	85	100	2×30-65	70
	250	0.4	0.7	3/5.2	76	10.1	85	100	2×30-65	70
	250	0.5	0.9	3.3/5.8	95	12.7	85	100	2×30-65	70
PROD320Y	320	0.3	0.7	3.6/6.2	57	7.6	110	100	2×30-65	80
	320	0.4	0.9	3.6/6.2	76	10.1	110	100	2×30-65	80
	320	0.5	1.1	4.3/7.4	95	12.7	110	100	2×30-65	80
	320	0.63	1.3	4.3/7.4	120	16	110	100	2×30-65	80
PROD400Y	320	1.0	2.2	5.8/10	191	25.5	110	100	2×30-65	80
	400	0.3	0.9	4.5/7.8	57	7.6	135	100	2×30-65	80
	400	0.4	1.1	4.5/7.8	76	10.1	135	100	2×30-65	80
	400	0.5	1.3	5.3/9.2	95	12.7	135	100	2×30-65	80
PROD400Y	400	0.63	1.7	5.3/9.2	120	16	135	100	2×30-65	80
	400	1.0	2.7	7.2/12.5	191	25.5	135	100	2×30-65	80

Note: Other non-standard parameter please contact the technical department!

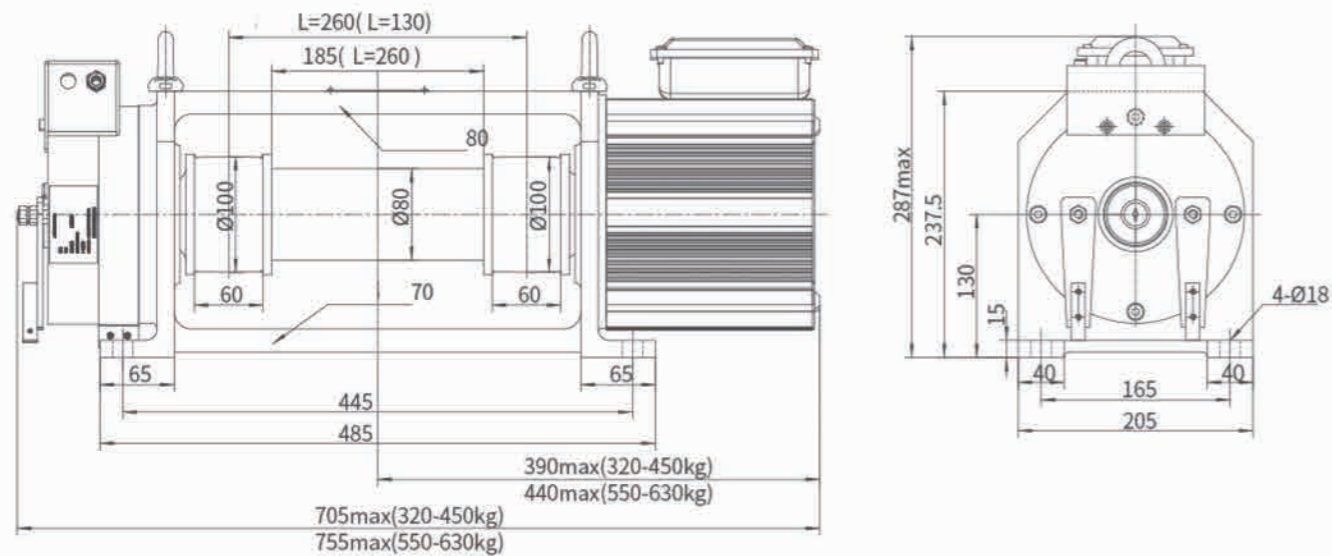
PROI100-FSeries

Features

Load:320~630kg Speed:0.3~1.0m/s
 Roping:2:1 Static Load:3000kg
 Voltage:380V、220V INS.Class:F
 IP Code:IP41 Poles:16
 Brake Vol:DC110V Brake Current:1.1A
 Working System:S5-25%



Overall Dimensions



Note: Motor and brake junction box all can be left or right to reduce the total height of the machine!

PROI100-FG Series Gearless Traction Machine Specification (Roping 2:1)

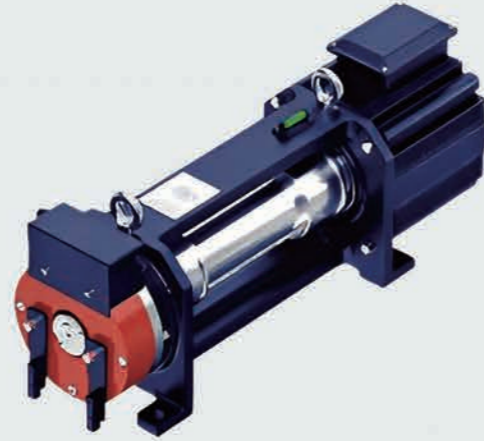
Type	Load (kg)	Speed (m/s)	Power (kW)	Current(A) 380V/220V	Speed (rpm)	Frequency (Hz)	Torque (N.m)	Sheave (mm)	Rope n×a-b	Net Weight (kg)
PROD320	320	0.3	0.7	4.4/4.4	115	15.3	55	100	2×30-260	80
	320	0.4	0.9	4.4/4.4	153	20.4	55	100	2×30-260	80
	320	0.5	1.1	3/5.2	191	25.5	55	100	2×30-260	80
	320	0.63	1.3	3/5.2	241	32.1	55	100	2×30-260	80
	320	1.0	2.2	5.3/9.2	382	50.9	55	100	2×30-260	80
PROD400	400	0.3	0.9	5.5/5.5	115	15.3	70	100	2×30-260	80
	400	0.4	1.1	5.5/5.5	153	20.4	70	100	2×30-260	80
	400	0.5	1.3	3.8/6.5	191	25.5	70	100	2×30-260	80
	400	0.63	1.7	3.8/6.5	241	32.1	70	100	2×30-260	80
	400	1.0	2.7	6.7/11.6	382	50.9	70	100	2×30-260	80
PROD450	450	0.4	1.3	6.2/6.2	153	20.4	80	100	2×30-260	80
	450	0.5	1.6	4.3/7.4	191	25.5	80	100	2×30-260	80
	450	0.63	1.9	4.3/7.4	241	32.1	80	100	2×30-260	80
	450	1.0	3.2	7.5/13	382	50.9	80	100	2×30-260	80
PROD630	630	0.4	1.7	5.3/9.2	153	20.4	110	100	2×30-260	90
	630	0.5	2.2	6.6/11.5	191	25.5	110	100	2×30-260	90
	630	0.63	2.7	6.6/11.5	241	32.1	110	100	2×30-260	90
	630	1.0	4.4	9/15.6	382	50.9	110	100	2×30-260	90

Note: Other non-standard parameter please contact the technical department!

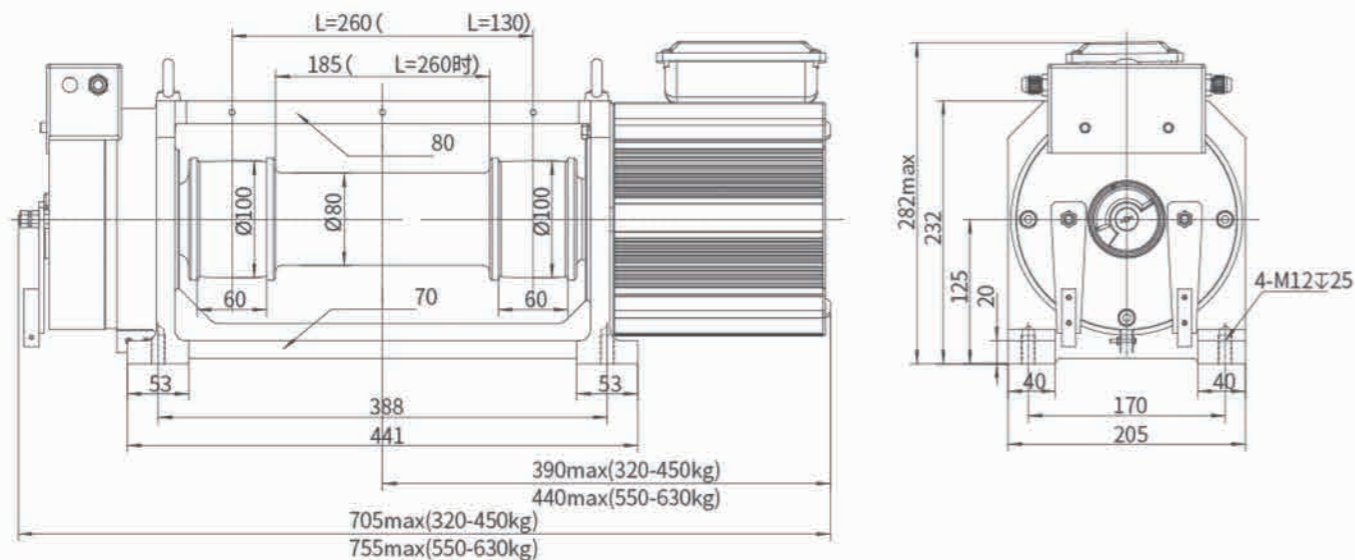
PROI100X-FG Series

Features

Load:320~630kg Speed:0.3~1.0m/s
 Roping:2:1 Static Load:3000kg
 Voltage:380V、220V INS.Class:F
 IP Code:IP41 Poles:16
 Brake Vol:DC110V Brake Current:1.1A
 Working System:S5-25%



Overall Dimensions



Note: Motor and brake junction box all can be left or right to reduce the total height of the machine!

PROI100X-FG Series Gearless Traction Machine Specification (Roping 2:1)

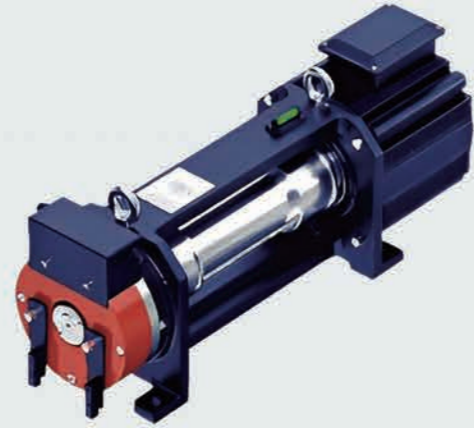
Type	Load (kg)	Speed (m/s)	Power (kW)	Current(A) 380V/220V	Speed (rpm)	Frequency (Hz)	Torque (N.m)	Sheave (mm)	Rope n×a-b	Net Weight (kg)
PROD320	320	0.3	0.7	4.4/4.4	115	15.3	55	100	2×30-260	80
	320	0.4	0.9	4.4/4.4	153	20.4	55	100	2×30-260	80
	320	0.5	1.1	3/5.2	191	25.5	55	100	2×30-260	80
	320	0.63	1.3	3/5.2	241	32.1	55	100	2×30-260	80
	320	1.0	2.2	5.3/9.2	382	50.9	55	100	2×30-260	80
PROD400	400	0.3	0.9	5.5/5.5	115	15.3	70	100	2×30-260	80
	400	0.4	1.1	5.5/5.5	153	20.4	70	100	2×30-260	80
	400	0.5	1.3	3.8/6.5	191	25.5	70	100	2×30-260	80
	400	0.63	1.7	3.8/6.5	241	32.1	70	100	2×30-260	80
	400	1.0	2.7	6.7/11.6	382	50.9	70	100	2×30-260	80
PROD450	450	0.4	1.3	6.2/6.2	153	20.4	80	100	2×30-260	80
	450	0.5	1.6	4.3/7.4	191	25.5	80	100	2×30-260	80
	450	0.63	1.9	4.3/7.4	241	32.1	80	100	2×30-260	80
	450	1.0	3.2	7.5/13	382	50.9	80	100	2×30-260	80
PROD630	630	0.4	1.7	5.3/9.2	153	20.4	110	100	2×30-260	90
	630	0.5	2.2	6.6/11.5	191	25.5	110	100	2×30-260	90
	630	0.63	2.7	6.6/11.5	241	32.1	110	100	2×30-260	90
	630	1.0	4.4	9/15.6	382	50.9	110	100	2×30-260	90

Note: Other non-standard parameter please contact the technical department!

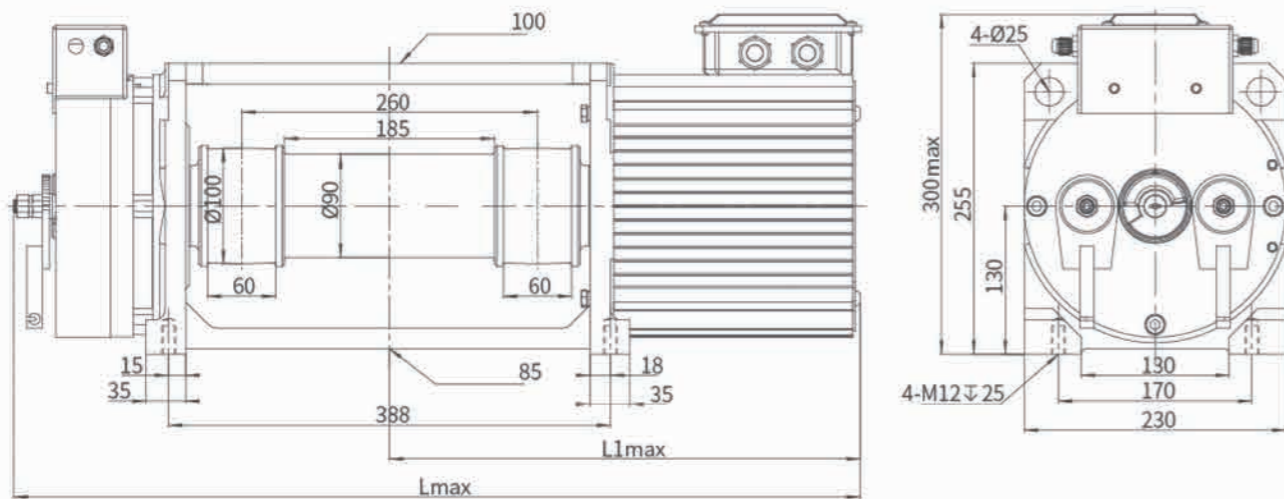
PROI100E-FG Series

Features

Load:450~800kg Speed:0.5~1.0m/s
 Roping:2:1 Static Load:3000kg
 Voltage:380V、220V INS.Class:F
 IP Code:IP41 Poles:16
 Brake Vol:DC110V Brake Current:1.5A
 Working System:S5-40%



Overall Dimensions



Size Specification Table

(Spec.)	L (mm)	L1 (mm)	(Belt Breaking Strength)
PROD450	745	415	42kN
PROD630	745	415	42kN
PROD800	785	455	52kN

Note: Motor and brake junction box all can be left or right to reduce the total height of the machine!

PROI100E-FG Series Gearless Traction Machine Specification (Roping 2:1)

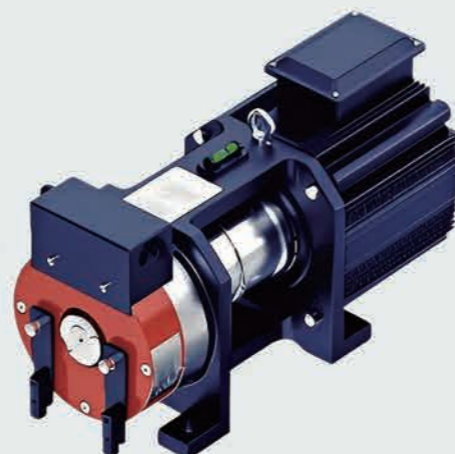
Type	Load (kg)	Speed (m/s)	Power (kW)	Current(A) 380V/220V	Speed (rpm)	Frequency (Hz)	Torque (N.m)	Sheave (mm)	Rope n×a-b	Net Weight (kg)
PROD450	450	0.5	1.6	4/6.9	191	25.5	80	100	2×30-260	110
	450	0.63	1.9	5/8.7	241	32.1	80	100	2×30-260	110
	450	1.0	3.2	6.5/11.2	382	50.9	80	100	2×30-260	110
PROD630	630	0.5	2.2	5.5/9.5	191	25.5	110	100	2×30-260	110
	630	0.63	2.7	6.3/10.9	241	32.1	110	100	2×30-260	110
	630	1.0	4.4	9/15.6	382	50.9	110	100	2×30-260	110
PROD800	800	0.5	2.7	6.8/11.8	191	25.5	135	100	2×30-260	130
	800	0.63	3.4	8/13.8	241	32.1	135	100	2×30-260	130
	800	1.0	5.4	11/19	382	50.9	135	100	2×30-260	130

Note: Other non-standard parameter please contact the technical department!

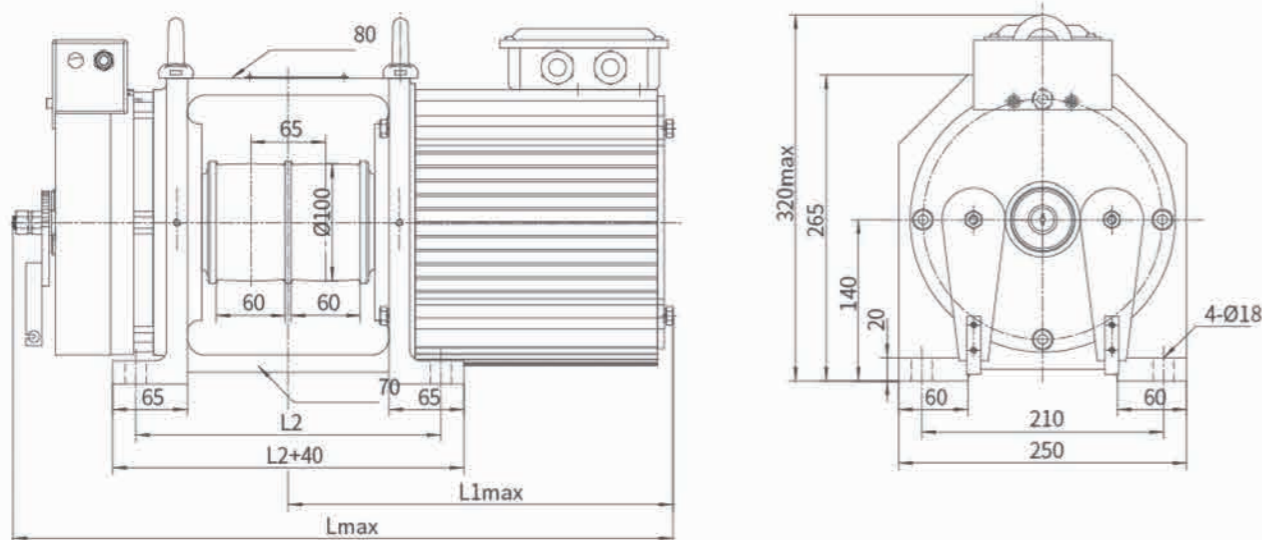
PROI100A Series

Features

Load:320~800kg Speed:0.3~1.6m/s
 Roping:2:1,1:1 Static Load:4000kg
 Voltage:380V、220V INS.Class:F
 IP Code:IP41 Poles:16
 Brake Vol:DC110V Brake Current:1.5A
 Working System:S5-25%



Overall Dimensions



Size Specification Table

(Roping)	(Spec.)	number of slots	L (mm)	L1 (mm)	L2 (mm)
2:1	PROD450/630	2	575	335	265
2:1	PROD630	3	640	370	330
2:1	PROD800	3	680	410	330
1:1	PROD320Y/400Y	2	575	335	265
1:1	PROD450Y	2	615	375	265
1:1	PROD450Y	3	680	410	330

Note: Motor and brake junction box all can be left or right to reduce the total height of the machine!

PROI100A Series Gearless Traction Machine Specification (Roping 2:1)

Type	Load (kg)	Speed (m/s)	Power (kW)	Current(A) 380V/220V	Speed (rpm)	Frequency (Hz)	Torque (N.m)	Sheave (mm)	Rope nxa-b	Net Weight (kg)
PROD450	450	0.5	1.6	4/6.9	191	25.5	80	100	2×30-65	95
	450	0.63	1.9	5/8.7	241	32.1	80	100	2×30-65	95
	450	1.0	3.2	6.5/11.2	382	50.9	80	100	2×30-65	95
PROD630	630	0.5	2.2	5.5/9.5	191	25.5	110	100	2×30-65/3×30-65	95
	630	0.63	2.7	6.3/10.9	241	32.1	110	100	2×30-65/3×30-65	95
	630	1.0	4.4	9/15.6	382	50.9	110	100	2×30-65/3×30-65	95
	630	1.5	6.6	15	573	76.4	110	100	2×30-65/3×30-65	95
PROD800	800	0.5	2.7	8	191	25.5	135	100	3×30-65	130
	800	0.63	3.4	8	241	32.1	135	100	3×30-65	130
	800	1.0	5.4	11	382	50.9	135	100	3×30-65	130
	800	1.5	8.1	18.3	573	76.4	135	100	3×30-65	130
	800	1.6	8.6	18.3	611	81.5	135	100	3×30-65	130

PROI100A Series Gearless Traction Machine Specification (Roping 1:1)

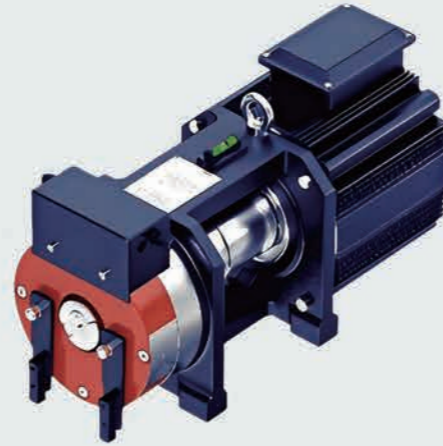
Type	Load (kg)	Speed (m/s)	Power (kW)	Current(A) 380V/220V	Speed (rpm)	Frequency (Hz)	Torque (N.m)	Sheave (mm)	Rope nxa-b	Net Weight (kg)
PROD320Y	320	0.3	0.7	3.9/6.8	57	7.6	110	100	2×30-65	95
	320	0.4	0.9	3.9/6.8	76	10.1	110	100	2×30-65	95
	320	0.5	1.1	4.4/7.6	95	12.7	110	100	2×30-65	95
	320	0.63	1.3	4.4/7.6	120	16	110	100	2×30-65	95
	320	1.0	2.2	5.8/10	191	25.5	110	100	2×30-65	95
PROD400Y	400	0.3	0.9	4.8/8.3	57	7.6	135	100	2×30-65	95
	400	0.4	1.1	4.8/8.3	76	10.1	135	100	2×30-65	95
	400	0.5	1.3	5.4/9.4	95	12.7	135	100	2×30-65	95
PROD450Y	400	0.63	1.7	5.4/9.4	120	16	135	100	2×30-65	95
	400	1.0	2.7	7.2/12.4	191	25.5	135	100	2×30-65	95
	450	0.4	1.3	5.6/9.8	76	10.1	160	100	2×30-65/3×30-65	130
	450	0.5	1.6	6.9/12	95	12.7	160	100	2×30-65/3×30-65	130
PROD450Y	450	0.63	1.9	6.9/12	120	16	160	100	2×30-65/3×30-65	130
	450	1.0	3.2	8.7/15	191	25.5	160	100	2×30-65/3×30-65	130

Note: Other non-standard parameter please contact the technical department!

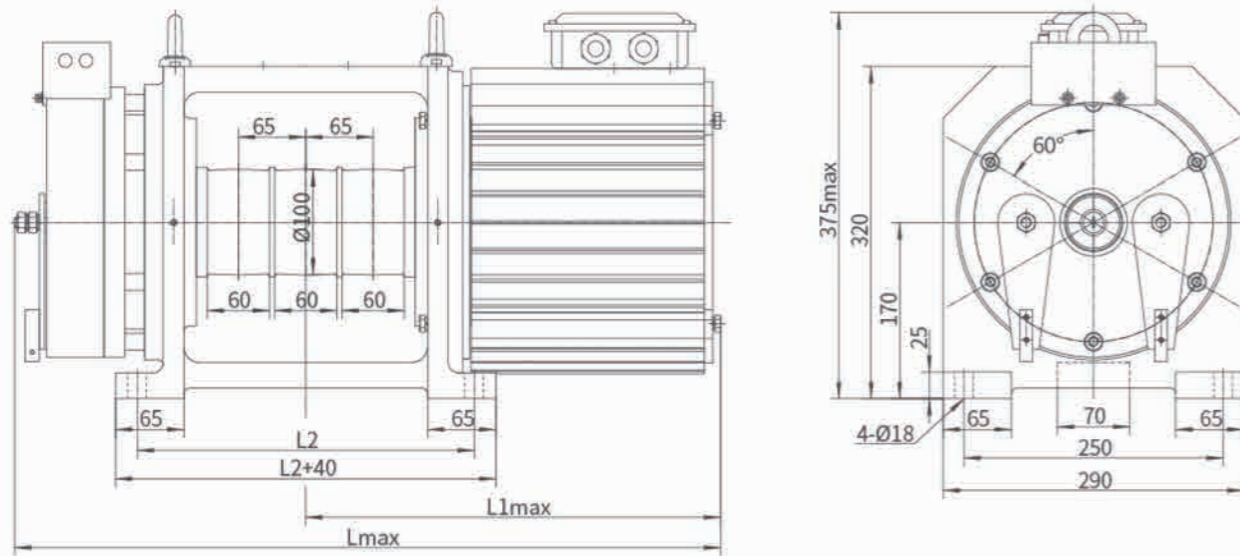
PROI100B Series

Features

Load:620~2000kg Speed:0.5~25m/s
 Roping:2:1,1:1 Static Load:5000kg
 Voltage:380V INS.Class:F
 IP Code:IP41 Poles:16
 Brake Vol:DC110V Brake Current:1.75A
 Working System:S5-40%



Overall Dimensions



Size Specification Table

(Roping)	(Spec.)	number of slots	L (mm)	L1 (mm)	L2 (mm)
2:1	PROD800/1000	3	685	405	325
2:1	PROD800/1000	4	750	435	390
2:1	PROD1250/1350	4	760	445	390
2:1	PROD1250/1350	5	825	475	455
2:1	PROD1600	5	860	510	455
2:1	PROD2000	5	910	560	455
1:1	PROD630Y	4	760	445	390
1:1	PROD800Y	5	860	510	455
1:1	PROD1000Y	5	910	560	455

PROI100B Series Gearless Traction Machine Specification (Roping 2:1)

Type	Load (kg)	Speed (m/s)	Power (kW)	Current(A) 380V	Speed (rpm)	Frequency (Hz)	Torque (N.m)	Sheave (mm)	Rope n×a-b	Net Weight (kg)
FXPD800	800	1.0	5.4	11	382	50.9	135	100	3×30-65/4×30-65	160
	800	1.5	8.1	18.3	573	76.4	135	100	3×30-65/4×30-65	160
	800	1.6	8.6	18.3	611	81.5	135	100	3×30-65/4×30-65	160
FXPD1000	1000	1.0	6.8	14	382	50.9	170	100	3×30-65/4×30-65	160
	1000	1.5	10.2	23	573	76.4	170	100	3×30-65/4×30-65	160
	1000	1.6	10.9	23	611	81.5	170	100	3×30-65/4×30-65	160
FXPD1250	1250	1.0	8.4	17.3	382	50.9	210	100	4×30-65/5×30-65	180
	1250	1.5	12.6	25.6	573	76.4	210	100	4×30-65/5×30-65	180
	1250	1.6	13.4	25.6	611	81.5	210	100	4×30-65/5×30-65	180
FXPD1350	1350	1.0	9.2	19	382	50.9	230	100	4×30-65/5×30-65	180
	1350	1.5	13.8	28	573	76.4	230	100	4×30-65/5×30-65	180
	1350	1.6	14.7	28	611	81.5	230	100	4×30-65/5×30-65	180
FXPD1600	1600	1.0	10.8	22	382	50.9	270	100	5×30-65	200
	1600	1.5	16.2	35	573	76.4	270	100	5×30-65	200
	1600	1.6	17.3	35	611	81.5	270	100	5×30-65	200
FXPD2000	2000	0.5	6.8	14.8	191	25.5	340	100	5×30-65	220
	2000	1.0	13.6	27	382	50.9	340	100	5×30-65	220
	2000	1.5	20.4	46	573	76.4	340	100	5×30-65	220
	2000	1.6	21.8	46	611	81.5	340	100	5×30-65	220

PROI100B Series Gearless Traction Machine Specification (Roping 1:1)

Type	Load (kg)	Speed (m/s)	Power (kW)	Current(A) 380V	Speed (rpm)	Frequency (Hz)	Torque (N.m)	Sheave (mm)	Rope n×a-b	Net Weight (kg)
PROD630Y	630	1.0	4.2	9	191	25.5	210	100	4×30-65	180
	630	1.5	6.3	13.8	287	38.3	210	100	4×30-65	180
	630	1.6	6.7	13.8	306	40.8	210	100	4×30-65	180
	630	1.75	7.3	17.3	334	44.5	210	100	4×30-65	180
	630	2.0	8.4	17.3	382	50.9	210	100	4×30-65	180
PROD800Y	800	1.0	5.4	11.5	191	25.5	270	100	5×30-65	200
	800	1.5	8.1	18	287	38.3	270	100	5×30-65	200
	800	1.6	8.7	18	306	40.8	270	100	5×30-65	200
	800	1.75	9.4	22	334	44.5	270	100	5×30-65	200
	800	2.0	10.8	22	382	50.9	270	100	5×30-65	200
PROD1000Y	800	2.5	13.5	28.5	478	63.7	270	100	5×30-65	200
	1000	1.0	6.8	14.8	191	25.5	340	100	5×30-65	220
	1000	1.5	10.2	23	287	38.3	340	100	5×30-65	220
	1000	1.6	10.9	23	306	40.8	340	100	5×30-65	220
	1000	1.75	11.9	27	334	44.5	340	100	5×30-65	220
	1000	2.0	13.6	27	382	50.9	340	100	5×30-65	220
	1000	2.5	17	36	478	63.7	340	100	5×30-65	220

Note: Other non-standard parameter please contact the technical department!

PROI130B Series

Features

Load:630~2000kg

Roping:2:1

Voltage:380V

IP Code:IP41

Brake Vol:DC110V

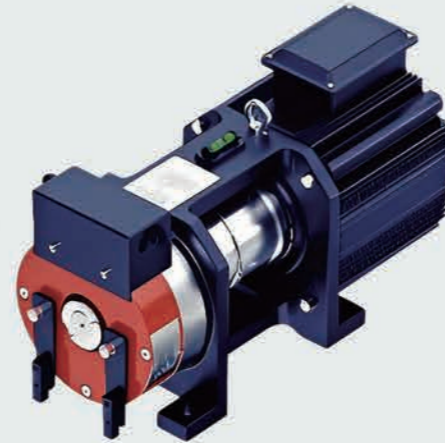
Speed:0.5~2m/s

Static Load:5000kg

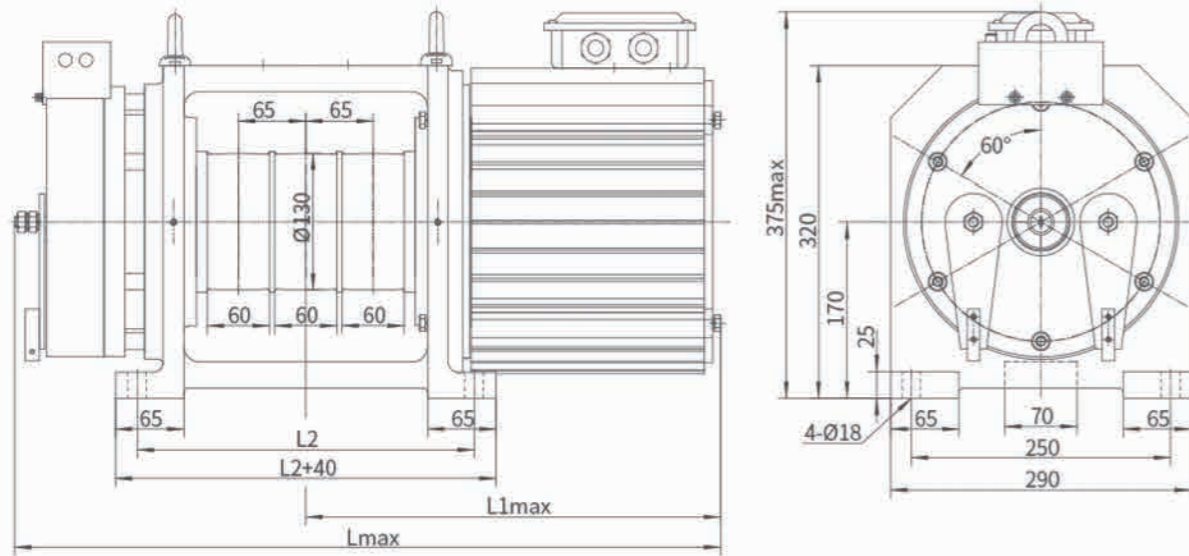
INS.Class:F

Poles:16

Working System:S5-40%



Overall Dimensions



Size Specification Table

(Spec.)	number of slots	L (mm)	L1 (mm)	L2 (mm)
PROD800/1000	3	685	405	325
PROD800/1000	4	750	435	390
PROD1250/1350	4	760	445	390
PROD1250/1350	5	825	475	455
PROD1600	5	860	510	455
PROD2000	5	910	560	455

PROI130B Series Gearless Traction Machine Specification (Roping 2:1)

Type	Load (kg)	Speed (m/s)	Power (kW)	Current(A) 380V	Speed (rpm)	Frequency (Hz)	Torque (N.m)	Sheave (mm)	Rope n×a-b	Brake current (A)	Net Weight (kg)
PROD800	800	1.0	5.4	11.4	294	39.2	175	130	3×30-65/4×30-65	1.75	180
	800	1.6	8.6	17.9	470	62.7	175	130	3×30-65/4×30-65	1.75	180
	800	1.75	9.4	23.7	514	68.5	175	130	3×30-65/4×30-65	1.75	180
	800	2.0	10.8	23.7	588	78.4	175	130	3×30-65/4×30-65	1.75	180
PROD1000	1000	1.0	6.8	14.3	294	39.2	220	130	3×30-65/4×30-65	1.75	180
	1000	1.6	10.8	22.5	470	62.7	220	130	3×30-65/4×30-65	1.75	180
	1000	1.75	11.8	29.7	514	68.5	220	130	3×30-65/4×30-65	1.75	180
	1000	2.0	13.5	29.7	588	78.4	220	130	3×30-65/4×30-65	1.75	180
PROD1250	1250	1.0	8.5	18.1	294	39.2	275	130	4×30-65/5×30-65	1.75	215
	1250	1.6	13.5	27.3	470	62.7	275	130	4×30-65/5×30-65	1.75	215
	1250	1.75	14.8	33.4	514	68.5	275	130	4×30-65/5×30-65	1.75	215
	1250	2.0	16.9	33.4	588	78.4	275	130	4×30-65/5×30-65	1.75	215
PROD1350	1350	1.0	9.2	19.7	294	39.2	300	130	4×30-65/5×30-65	1.75	215
	1350	1.6	14.8	29.8	470	62.7	300	130	4×30-65/5×30-65	1.75	215
	1350	1.75	16.1	36.5	514	68.5	300	130	4×30-65/5×30-65	1.75	215
	1350	2.0	18.5	36.5	588	78.4	300	130	4×30-65/5×30-65	1.75	215
PROD1600	1600	1.0	10.8	23.3	294	39.2	350	130	5×30-65	1.75	240
	1600	1.6	17.2	36.9	470	62.7	350	130	5×30-65	1.75	240
	1600	1.75	18.8	45.3	514	68.5	350	130	5×30-65	1.75	240
	1600	2.0	21.5	45.3	588	78.4	350	130	5×30-65	1.75	240
PROD2000	2000	0.5	6.8	19.1	147	19.6	440	130	5×30-65	2	260
	2000	1.0	13.5	29.8	294	39.2	440	130	5×30-65	2	260
	2000	1.6	21.7	46	470	62.7	440	130	5×30-65	2	260
	2000	1.75	23.7	59.5	514	68.5	440	130	5×30-65	2	260
	2000	2.0	27.1	59.5	588	78.4	440	130	5×30-65	2	260

Note: Other non-standard parameter please contact the technical department!

PROI120C Series

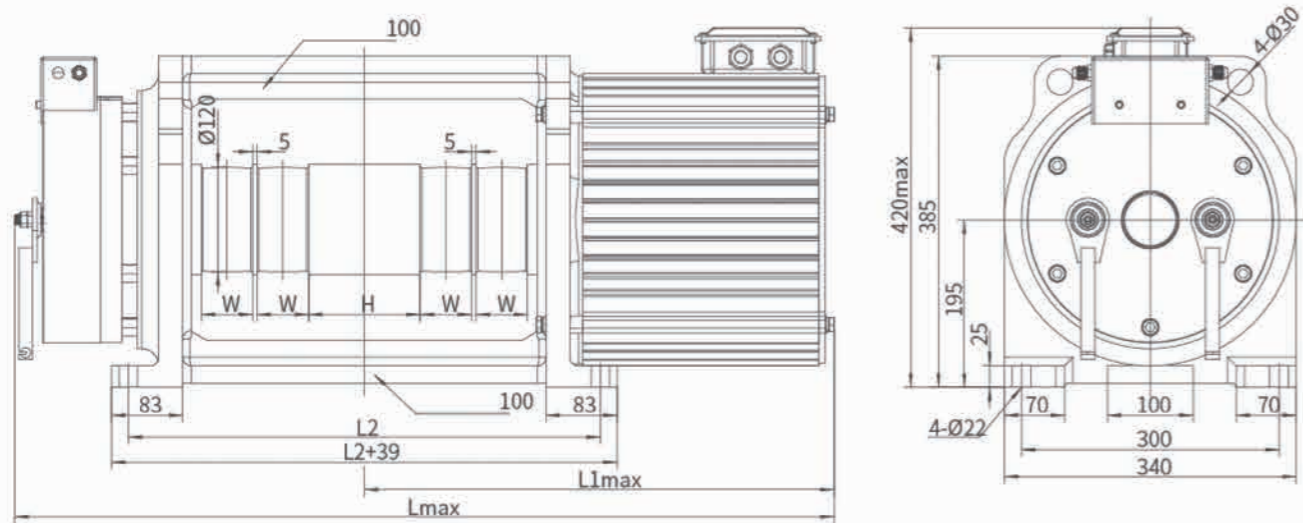
Features

Load:1150~3000kg
 Roping:2:1
 Voltage:380V
 IP Code:IP41
 Brake Vol:DC110V

Speed:0.5~1.75m/s
 Static Load:120kg
 INS.Class:F
 Poles:12
 Working System:S5-40%



Overall Dimensions



Size Specification Table

(Spec.)	number of slots	W (mm)	H (mm)	L (mm)	L1 (mm)	L2 (mm)
PROD1150/1250/1350	4	60	130	910	500	550
PROD1150/1250/1350	4	65	190	990	540	630
PROD1600/2000	4	60	130	960	550	550
PROD1600/2000	4	65	190	1040	590	630
PROD2500	6	65	190	1175	685	770
PROD3000	6	65	190	1215	725	770

PROI120C Series Gearless Traction Machine Specification (Roping 2:1)

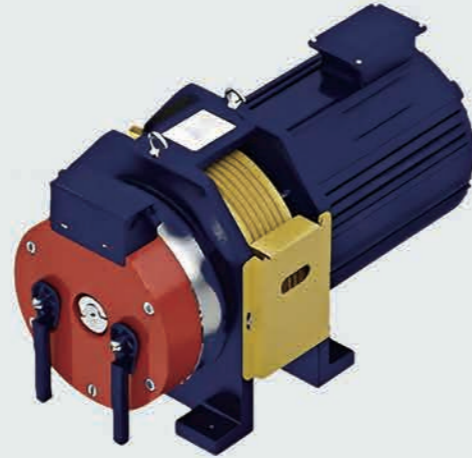
Type	Load (kg)	Speed (m/s)	Power (kW)	Current(A) 380V	Speed (rpm)	Frequency (Hz)	Torque (N.m)	Sheave (mm)	Brake current (A)	Max. Static Load (kg)	Net Weight (kg)
PROD1150	1150	0.5	3.6	7.6	159	15.9	220	120	2×1.79	5000	245
	1150	1.0	7.3	16.1	318	31.8	220	120	2×1.79	5000	245
	1150	1.6	11.7	27.3	509	50.9	220	120	2×1.79	5000	245
	1150	1.75	12.8	27.3	557	55.7	220	120	2×1.79	5000	245
PROD1250	1250	0.5	4	8.3	159	15.9	238	120	2×1.79	5000	245
	1250	1.0	7.9	17.5	318	31.8	238	120	2×1.79	5000	245
	1250	1.6	12.7	29.6	509	50.9	238	120	2×1.79	5000	245
	1250	1.75	13.9	29.6	557	55.7	238	120	2×1.79	5000	245
PROD1350	1350	0.5	4.3	9	159	15.9	260	120	2×1.79	5000	245
	1350	1.0	8.6	18.9	318	31.8	260	120	2×1.79	5000	245
	1350	1.6	13.7	32	509	50.9	260	120	2×1.79	5000	245
	1350	1.75	15	32	557	55.7	260	120	2×1.79	5000	245
PROD1600	1600	0.5	5.1	10.5	159	15.9	305	120	2×1.79	5000	270
	1600	1.0	10.2	22.4	318	31.8	305	120	2×1.79	5000	270
	1600	1.6	16.2	38.5	509	50.9	305	120	2×1.79	5000	270
	1600	1.75	17.8	38.5	557	55.7	305	120	2×1.79	5000	270
PROD2000	2000	0.5	6.3	13.1	159	15.9	380	120	2×1.79	5000	270
	2000	1.0	12.7	28	318	31.8	380	120	2×1.79	5000	270
	2000	1.6	20.3	48	509	50.9	380	120	2×1.79	5000	270
	2000	1.75	22.2	48	557	55.7	380	120	2×1.79	5000	270
PROD2500	2500	0.5	7.9	17	159	15.9	476	120	2×1.26	7000	310
	2500	1.0	15.9	34	318	31.8	476	120	2×1.26	7000	310
	2500	1.6	25.4	58	509	50.9	476	120	2×1.26	7000	310
	2500	1.75	27.8	58	557	55.7	476	120	2×1.26	7000	310
PROD3000	3000	0.5	9.5	20.4	159	15.9	570	120	2×1.26	7000	335
	3000	1.0	19	40	318	31.8	570	120	2×1.26	7000	335
	3000	1.6	30.5	71	509	50.9	570	120	2×1.26	7000	335
	3000	1.75	33.3	71	557	55.7	570	120	2×1.26	7000	335

Note: Belt can be optionally equipped with 42kN and 64kN according to the system quality

PROI150A Series

Features

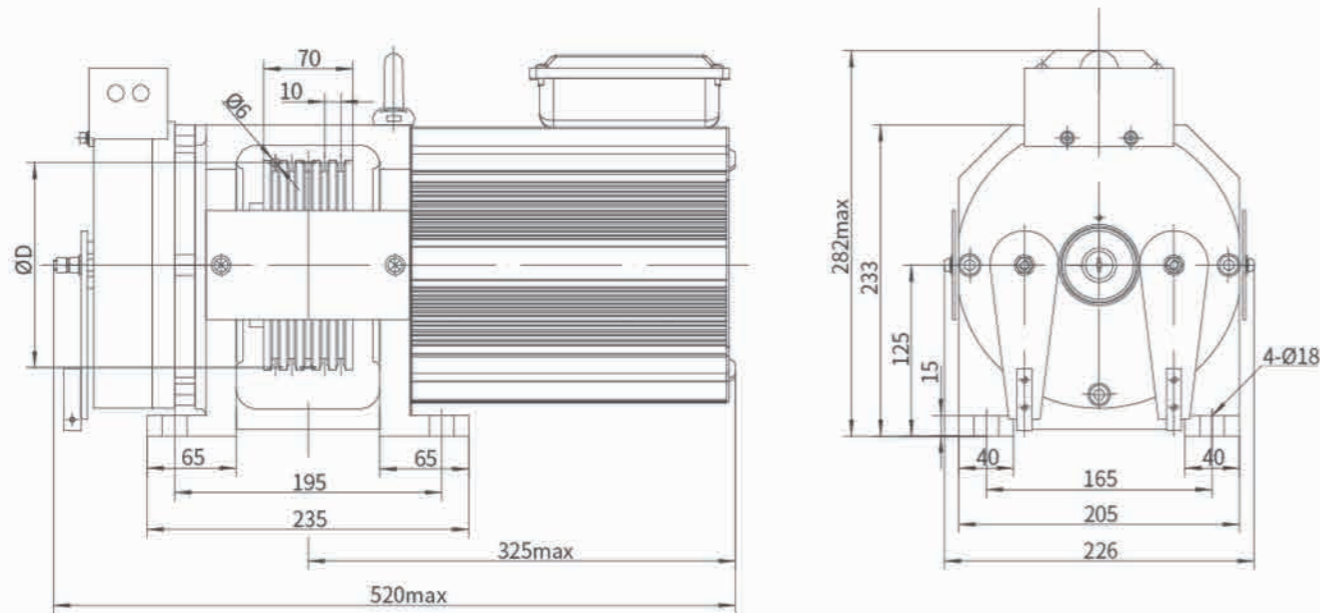
Load:320~450kg Speed:0.3~1.0m/s
 Roping:2:1 Static Load:3000kg
 Voltage:380V、220V INS.Class:F
 IP Code:IP41 Poles:16
 Brake Vol:DC110V Brake Current:1.1A
 Working System:S5-25%



PROI150A Series Gearless Traction Machine Specification (Roping 2:1; Sheave 150mm)

Type	Load (kg)	Speed (m/s)	Power (kW)	Current(A) 380V/220V	Speed (rpm)	Frequency (Hz)	Torque (N.m)	Sheave (mm)	Rope nxa-b	Net Weight (kg)
PROS320	320	0.3	0.7	4.8/4.8	76	10.1	85	150	4xØ6-10	90
	320	0.4	0.9	4.8/4.8	102	13.6	85	150	4xØ6-10	90
	320	0.5	1.1	3.8/6.6	127	16.9	85	150	4xØ6-10	90
	320	0.63	1.3	3.8/6.6	160	21.3	85	150	4xØ6-10	90
PROS400	400	0.3	0.9	6/6	76	10.1	100	150	4xØ6-10	90
	400	0.4	1.1	6/6	102	13.6	100	150	4xØ6-10	90
	400	0.5	1.3	4.8/8.3	127	16.9	100	150	4xØ6-10	90
	400	0.63	1.7	4.8/8.3	160	21.3	100	150	4xØ6-10	90
PROS450	400	1.0	2.7	5.8/10	255	34	100	150	4xØ6-10	90
	450	0.4	1.3	4/6.9	102	13.6	110	150	4xØ6-10	90
	450	0.5	1.6	5.3/9.2	127	16.9	110	150	4xØ6-10	90
	450	0.63	1.9	5.3/9.2	160	21.3	110	150	4xØ6-10	90
PROS450	450	1.0	3.2	6.5/11.3	255	34	110	150	4xØ6-10	90

Overall Dimensions



Note: Motor and brake junction box all can be left or right to reduce the total height of the machine!

PROI150A Series Gearless Traction Machine Specification (Roping 2:1; Sheave 160mm)

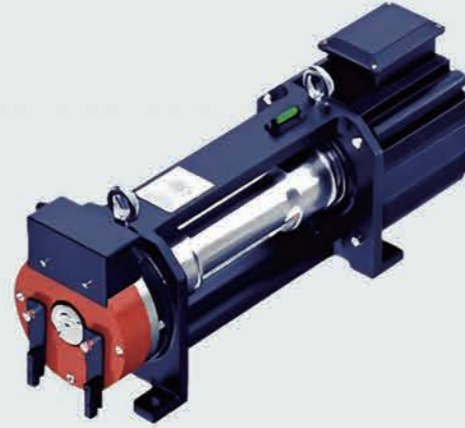
Type	Load (kg)	Speed (m/s)	Power (kW)	Current(A) 380V/220V	Speed (rpm)	Frequency (Hz)	Torque (N.m)	Sheave (mm)	Rope nxa-b	Net Weight (kg)
PROS320	320	0.3	0.7	5.2/5.2	72	9.6	90	160	4xØ6-10	90
	320	0.4	0.9	5.2/5.2	96	12.8	90	160	4xØ6-10	90
	320	0.5	1.1	4.3/7.4	119	15.9	90	160	4xØ6-10	90
	320	0.63	1.3	4.3/7.4	150	20	90	160	4xØ6-10	90
PROS400	320	1.0	2.2	5/8.6	239	31.9	90	160	4xØ6-10	90
	400	0.3	0.9	6.5/6.5	72	9.6	105	160	4xØ6-10	90
	400	0.4	1.1	6.5/6.5	96	12.8	105	160	4xØ6-10	90
	400	0.5	1.3	5.3/9.2	119	15.9	105	160	4xØ6-10	90
PROS450	400	0.63	1.7	5.3/9.2	150	20	105	160	4xØ6-10	90
	400	1.0	2.7	6.2/10.7	239	31.9	105	160	4xØ6-10	90
	450	0.4	1.3	4.2/7.3	96	12.8	125	160	4xØ6-10	90
	450	0.5	1.6	6/10.5	119	15.9	125	160	4xØ6-10	90
PROS450	450	0.63	1.9	6/10.5	150	20	125	160	4xØ6-10	90
	450	1.0	3.2	6.9/12	239	31.9	125	160	4xØ6-10	90

Note: Other non-standard parameter please contact the technical department!

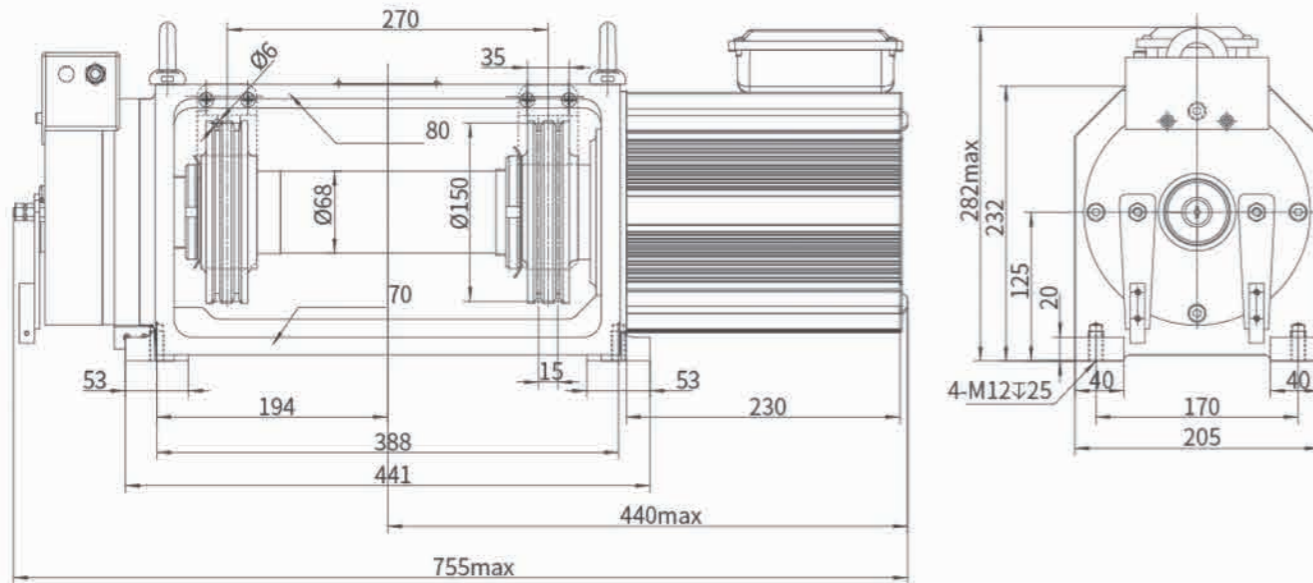
PROI150-FG Series

Features

Load:320~450kg Speed:0.3~1.0m/s
 Roping:2:1 Static Load:3000kg
 Voltage:380V、220V INS.Class:F
 IP Code:IP41 Poles:16
 Brake Vol:DC110V Brake Current:1.1A
 Working System:S5-25%



Overall Dimensions



Note: Motor and brake junction box all can be left or right to reduce the total height of the machine!

PROI150-FG Series Gearless Traction Machine Specification (Roping 2:1)

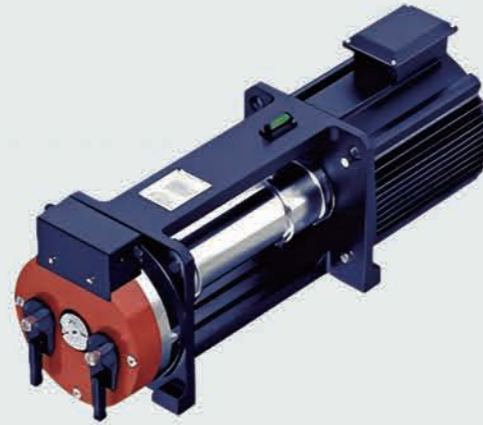
主机型号 Type	额定载重 Load (kg)	额定梯速 Speed (m/s)	额定功率 Power (kW)	额定电流 Current(A) 380V/220V	额定转速 Speed (rpm)	额定频率 Frequency (Hz)	额定转矩 Torque (N.m)	曳引轮直径 Sheave (mm)	绳轮 Rope n×a-b	净重 Net Weight (kg)
PROS320	320	0.3	0.7	4.8/4.8	76	10.1	85	150	4×Ø6-15	95
	320	0.4	0.9	4.8/4.8	102	13.6	85	150	4×Ø6-15	95
	320	0.5	1.1	3.8/6.6	127	16.9	85	150	4×Ø6-15	95
	320	0.63	1.3	3.8/6.6	160	21.3	85	150	4×Ø6-15	95
	320	1.0	2.2	4.6/8	255	34	85	150	4×Ø6-15	95
PROS400	400	0.3	0.9	6/6	76	10.1	100	150	4×Ø6-15	95
	400	0.4	1.1	6/6	102	13.6	100	150	4×Ø6-15	95
	400	0.5	1.3	4.8/8.3	127	16.9	100	150	4×Ø6-15	95
	400	0.63	1.7	4.8/8.3	160	21.3	100	150	4×Ø6-15	95
	400	1.0	2.7	5.8/10	255	34	100	150	4×Ø6-15	95
PROS450	450	0.4	1.3	4/6.9	102	13.6	110	150	4×Ø6-15	95
	450	0.5	1.6	5.3/9.2	127	16.9	110	150	4×Ø6-15	95
	450	0.63	1.9	5.3/9.2	160	21.3	110	150	4×Ø6-15	95
	450	1.0	3.2	6.5/11.3	255	34	110	150	4×Ø6-15	95

Note: Other non-standard parameter please contact the technical department!

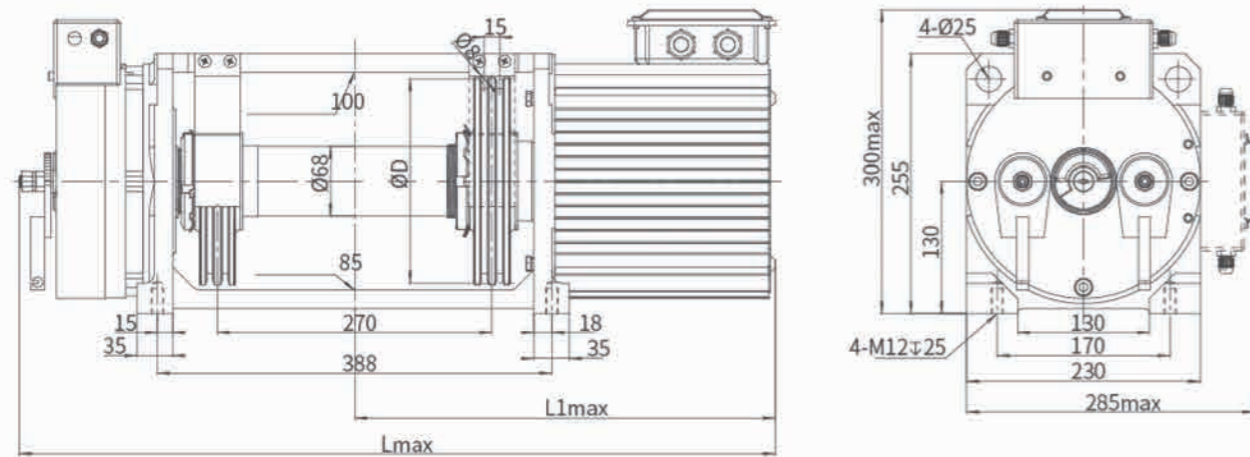
PROI200-FG Series

Features

Load:320~630kg **Speed:**0.3~1.0m/s
Roping:2:1 **Static Load:**3000kg
Voltage:380V、220V **INS.Class:**F
IP Code:IP41 **Poles:**16
Brake Vol:DC110V **Brake Current:**1.5A
Working System:S5-25%



Overall Dimensions



Size Specification Table

(Spec.)	D (mm)	L (mm)	L1 (mm)
PROS320/400/450	180	745	415
PROS630	180	785	455
PROS320/400	200	745	415
PROS450/630	200	785	455

Note: Motor and brake junction box all can be left or right to reduce the total height of the machine!

PROI200-FG Series Gearless Traction Machine Specification (Roping 2:1; Sheave 180mm)

Type	Load (kg)	Speed (m/s)	Power (kW)	Current(A) 380V/220V	Speed (rpm)	Frequency (Hz)	Torque (N.m)	Sheave (mm)	Rope nxa-b	Net Weight (kg)
PROS320	320	0.3	0.7	3.6/6.2	64	8.5	100	180	4xØ8-15	110
	320	0.4	0.9	3.6/6.2	85	11.3	100	180	4xØ8-15	110
	320	0.5	1.1	4/6.9	106	14.1	100	180	4xØ8-15	110
	320	0.63	1.3	4/6.9	134	17.9	100	180	4xØ8-15	110
PROS400	400	0.3	0.9	4.4/7.6	64	8.5	120	180	4xØ8-15	110
	400	0.4	1.1	4.4/7.6	85	11.3	120	180	4xØ8-15	110
	400	0.5	1.3	4.8/8.3	106	14.1	120	180	4xØ8-15	110
	400	0.63	1.7	4.8/8.3	134	17.9	120	180	4xØ8-15	110
PROS450	450	0.4	1.3	4.8/8.3	85	11.3	135	180	4xØ8-15	110
	450	0.5	1.6	5.4/9.4	106	14.1	135	180	4xØ8-15	110
	450	0.63	1.9	5.4/9.4	134	17.9	135	180	4xØ8-15	110
	450	1.0	3.2	7.2/12.4	212	28.3	135	180	4xØ8-15	110
PROS630	630	0.4	1.7	7.2/12.4	85	11.3	190	180	4xØ8-15	130
	630	0.5	2.1	8.8/15.2	106	14.1	190	180	4xØ8-15	130
	630	0.63	2.7	8.8/15.2	134	17.9	190	180	4xØ8-15	130
	630	1.0	4.2	11.4/19.8	212	28.3	190	180	4xØ8-15	130

PROI200-FG Series Gearless Traction Machine Specification (Roping 2:1; Sheave 200mm)

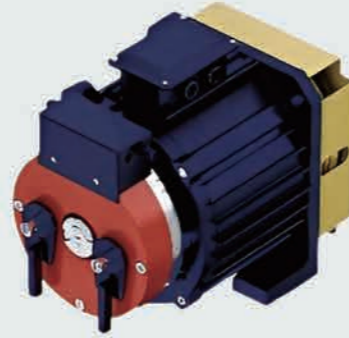
Type	Load (kg)	Speed (m/s)	Power (kW)	Current(A) 380V/220V	Speed (rpm)	Frequency (Hz)	Torque (N.m)	Sheave (mm)	Rope nxa-b	Net Weight (kg)
PROS320	320	0.3	0.7	3.9/6.8	57	7.6	110	200	4xØ8-15	110
	320	0.4	0.9	3.9/6.8	76	10.1	110	200	4xØ8-15	110
	320	0.5	1.1	4.4/7.6	96	12.8	110	200	4xØ8-15	110
	320	0.63	1.3	4.4/7.6	120	16	110	200	4xØ8-15	110
PROS400	400	0.3	0.9	4.8/8.3	57	7.6	135	200	4xØ8-15	110
	400	0.4	1.1	4.8/8.3	76	10.1	135	200	4xØ8-15	110
	400	0.5	1.3	5.4/9.4	96	12.8	135	200	4xØ8-15	110
	400	0.63	1.7	5.4/9.4	120	16	135	200	4xØ8-15	110
PROS450	450	0.4	1.3	5.6/9.8	76	10.1	150	200	4xØ8-15	130
	450	0.5	1.6	6.9/12	96	12.8	150	200	4xØ8-15	130
	450	0.63	1.9	6.9/12	120	16	150	200	4xØ8-15	130
	450	1.0	3.2	8.7/15	191	25.5	150	200	4xØ8-15	130
PROS630	630	0.4	1.7	8/13.8	76	10.1	210	200	4xØ8-15	130
	630	0.5	2.1	9.7/16.8	96	12.8	210	200	4xØ8-15	130
	630	0.63	2.7	9.7/16.8	120	16	210	200	4xØ8-15	130
	630	1.0	4.2	12.7/22	191	25.5	210	200	4xØ8-15	130

Note: Other non-standard parameter please contact the technical department!

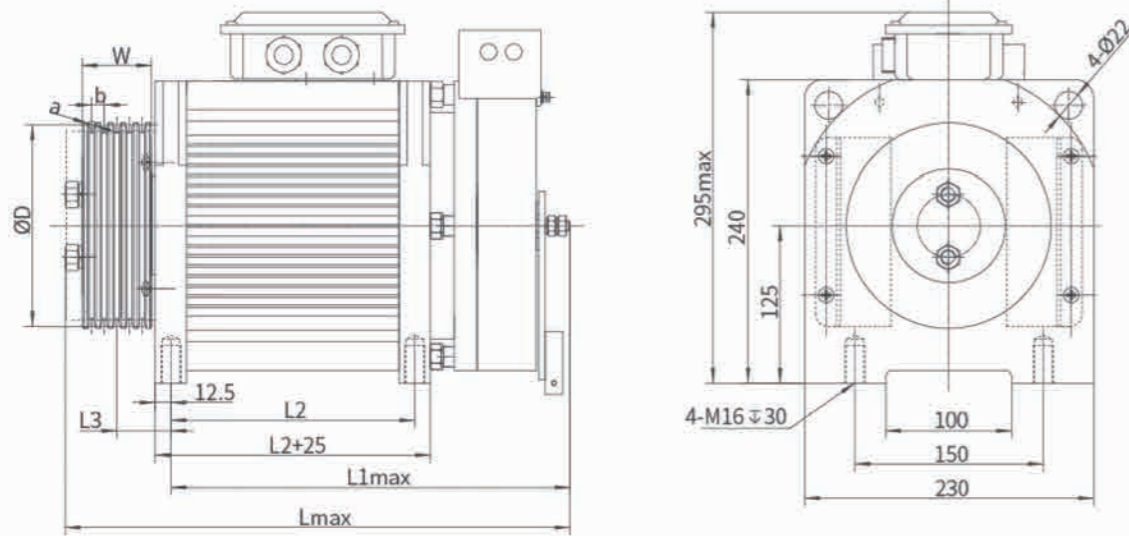
PROI160XB Series

Features

Load:320~630kg Speed:0.3~1.0m/s
 Roping:2:1 Static Load:3000kg
 Voltage:380V、220V INS.Class:F
 IP Code:IP41 Poles:16
 Brake Vol:DC110V Brake Current:1.5A
 Working System:S5-25%



Overall Dimensions



Size Specification Table

(Spec.)	D (mm)	L (mm)	L1 (mm)	L2 (mm)	L3 (mm)	W (mm)
PROS320/400	160	412	327	194	43	55
PROS320/400	200	412	327	194	43	55
PROS450	160	412	327	194	43	55
PROS450	200	453	368	235	43	55
PROS630	160	453	368	235	43	55
PROS630	200	453	368	235	50.5	70

Note: Motor and brake junction box all can be left or right to reduce the total height of the machine!

PROI160XB Series Gearless Traction Machine Specification (Roping 2:1; Sheave 160mm)

Type	Load (kg)	Speed (m/s)	Power (kW)	Current(A) 380V/220V	Speed (rpm)	Frequency (Hz)	Torque (N.m)	Sheave (mm)	Rope n×a-b	Net Weight (kg)
PROS320	320	0.3	0.7	3.3/5.8	72	9.6	90	160	5×Ø6-10	80
	320	0.4	0.9	3.3/5.8	96	12.8	90	160	5×Ø6-10	80
	320	0.5	1.1	3.8/6.5	119	15.9	90	160	5×Ø6-10	80
	320	0.63	1.3	3.8/6.5	150	20	90	160	5×Ø6-10	80
	320	1.0	2.2	5.4/9.3	239	31.9	90	160	5×Ø6-10	80
PROS400	400	0.3	0.9	4.2/7.2	72	9.6	105	160	5×Ø6-10	80
	400	0.4	1.1	4.2/7.2	96	12.8	105	160	5×Ø6-10	80
	400	0.5	1.3	4.6/8	119	15.9	105	160	5×Ø6-10	80
	400	0.63	1.7	4.6/8	150	20	105	160	5×Ø6-10	80
	400	1.0	2.7	6.8/11.7	239	31.9	105	160	5×Ø6-10	80
PROS450	450	0.4	1.3	4.6/8	96	12.8	120	160	5×Ø6-10	80
	450	0.5	1.6	5.2/9	119	15.9	120	160	5×Ø6-10	80
	450	0.63	1.9	5.2/9	150	20	120	160	5×Ø6-10	80
	450	1.0	3.2	7.6/13.2	239	31.9	120	160	5×Ø6-10	80
PROS630	630	0.4	1.7	6/10.5	96	12.8	165	160	5×Ø6-10	90
	630	0.5	2.1	8/13.8	119	15.9	165	160	5×Ø6-10	90
	630	0.63	2.7	8/13.8	150	20	165	160	5×Ø6-10	90
	630	1.0	4.2	9.5/16.5	239	31.9	165	160	5×Ø6-10	90

PROI160XB Series Gearless Traction Machine Specification (Roping 2:1; Sheave 200mm)

Type	Load (kg)	Speed (m/s)	Power (kW)	Current(A) 380V/220V	Speed (rpm)	Frequency (Hz)	Torque (N.m)	Sheave (mm)	Rope n×a-b	Net Weight (kg)
PROS320	320	0.3	0.7	3.9/6.8	57	7.6	110	200	3×Ø8-12	85
	320	0.4	0.9	3.9/6.8	76	10.1	110	200	3×Ø8-12	85
	320	0.5	1.1	4.4/7.6	96	12.8	110	200	3×Ø8-12	85
	320	0.63	1.3	4.4/7.6	120	16	110	200	3×Ø8-12	85
	320	1.0	2.2	5.8/10	191	25.5	110	200	3×Ø8-12	85
PROS400	400	0.3	0.9	4.8/8.3	57	7.6	135	200	3×Ø8-12	85
	400	0.4	1.1	4.8/8.3	76	10.1	135	200	3×Ø8-12	85
	400	0.5	1.3	5.4/9.4	96	12.8	135	200	3×Ø8-12	85
	400	0.63	1.7	5.4/9.4	120	16	135	200	3×Ø8-12	85
PROS450	400	1.0	2.7	7.2/12.4	191	25.5	135	200	3×Ø8-12	85
	450	0.4	1.3	5.6/9.8	76	10.1	150	200	4×Ø8-12	95
	450	0.5	1.6	6.9/12	96	12.8	150	200	4×Ø8-12	95
PROS450	450	0.63	1.9	6.9/12	120	16	150	200	4×Ø8-12	95
	450	1.0	3.2	8.7/15	191	25.5	150	200	4×Ø8-12	95
	630	0.4	1.7	8/13.8	76	10.1	210	200	5×Ø8-12	95
PROS630	630	0.5	2.1	9.7/16.8	96	12.8	210	200	5×Ø8-12	95
	630	0.63	2.7	9.7/16.8	120	16	210	200	5×Ø8-12	95
	630	1.0	4.2	12.7/22	191	25.5	210	200	5×Ø8-12	95

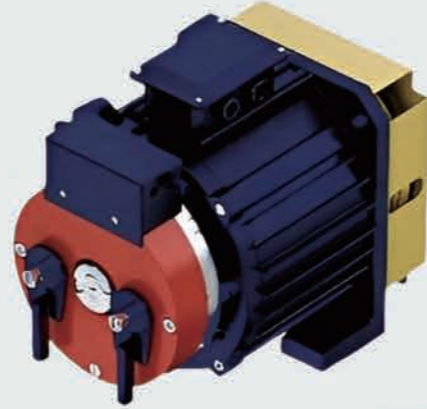
Note: Other non-standard parameter please contact the technical department!

PROI200-2 Series

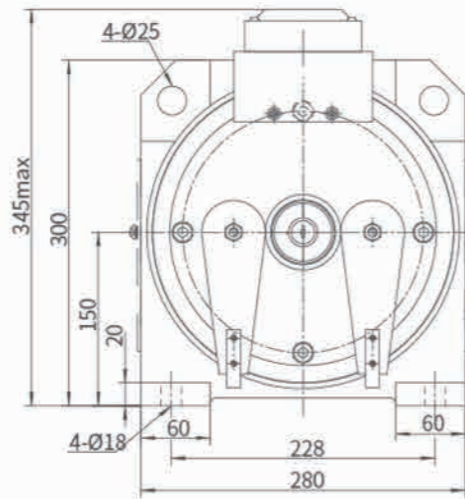
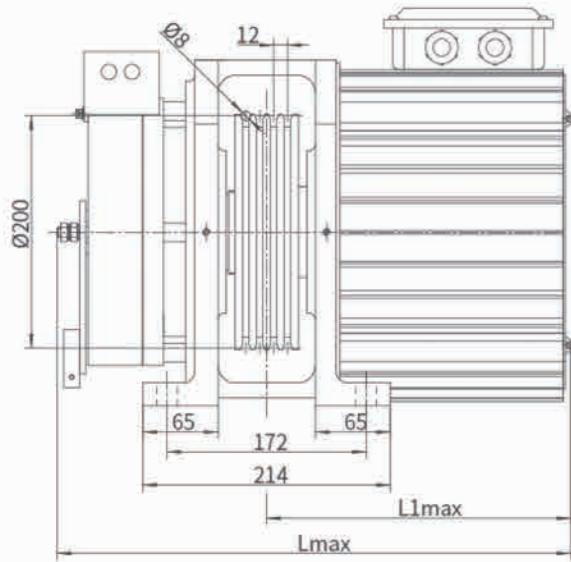
Features

Load:320~450kg
 Roping:2:1
 Voltage:380V、220V
 IP Code:IP41
 Brake Vol:DC110V
 Working System:S5-25%

Speed:0.3~1.0m/s
 Static Load:3000kg
 INS.Class:F
 Poles:16
 Brake Current:1.5A



Overall Dimensions



Size Specification Table

(Spec.)	L (mm)	L1 (mm)
PROS320	405	210
PROS400/450	420	225

Note: Motor and brake junction box all can be left or right to reduce the total height of the machine!

PROI200-2 Series Gearless Traction Machine Specification (Roping 2:1)

Type	Load (kg)	Speed (m/s)	Power (kW)	Current(A) 380V/220V	Speed (rpm)	Frequency (Hz)	Torque (N.m)	Sheave (mm)	Rope n×a-b	Net Weight (kg)
PROS320	320	0.3	0.7	3.4/5.8	57	7.6	110	200	3×Ø8-12	70
	320	0.4	0.9	3.4/5.8	76	10.1	110	200	3×Ø8-12	70
	320	0.5	1.1	3.8/6.5	96	12.8	110	200	3×Ø8-12	70
	320	0.63	1.3	3.8/6.5	120	16	110	200	3×Ø8-12	70
	320	1.0	2.2	5.3/9.2	191	25.5	110	200	3×Ø8-12	70
PROS400	400	0.3	0.9	4/6.9	57	7.6	135	200	3×Ø8-12	75
	400	0.4	1.1	4/6.9	76	10.1	135	200	3×Ø8-12	75
	400	0.5	1.3	4.5/7.8	96	12.8	135	200	3×Ø8-12	75
	400	0.63	1.7	4.5/7.8	120	16	135	200	3×Ø8-12	75
	400	1.0	2.7	6.2/10.8	191	25.5	135	200	3×Ø8-12	75
PROS450	450	0.4	1.3	4.5/7.8	76	10.1	150	200	4×Ø8-12	75
	450	0.5	1.6	5.1/8.8	96	12.8	150	200	4×Ø8-12	75
	450	0.63	1.9	5.1/8.8	120	16	150	200	4×Ø8-12	75
	450	1.0	3.2	6.9/12	191	25.5	150	200	4×Ø8-12	75

Note: Other non-standard parameter please contact the technical department!

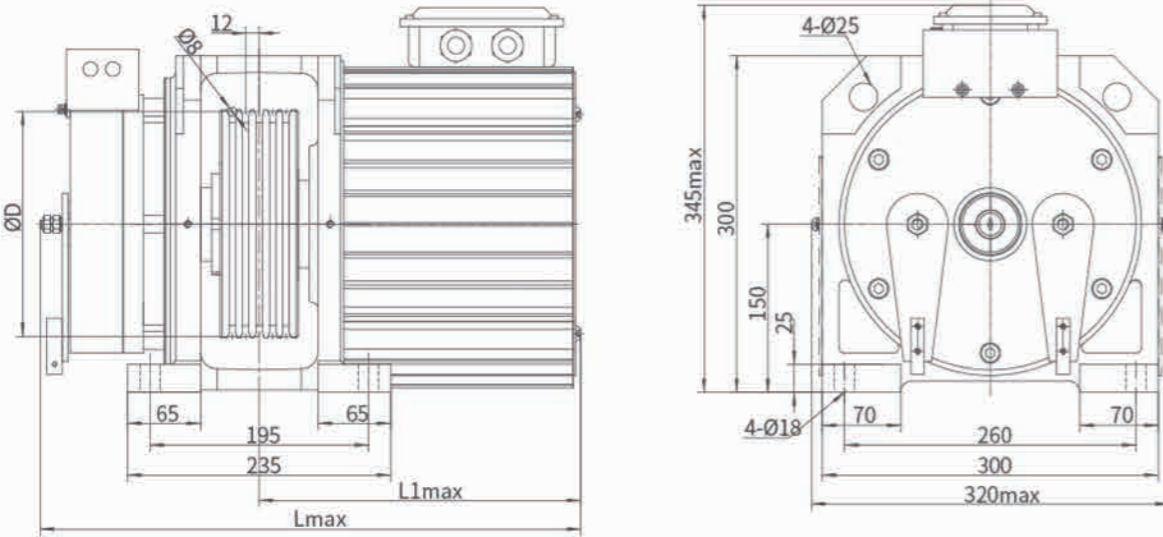
PROI200-1/PROI240 Series

Features

Load:320~800kg Speed:0.3~1.0m/s
 Roping:2:1 Static Load:3000kg
 Voltage:380V、220V INS.Class:F
 IP Code:IP41 Poles:16
 Brake Vol:DC110V Working System:S5-25%



Overall Dimensions



Size Specification Table

(Spec.)	D (mm)	L (mm)	L1(mm)
PROS320	200	430	225
PROS400/450	200	445	240
PROS320/400/450	240	460	255
PROS630	200	500	290
PROS630	240	500	290
PROS800	240	530	320

Note: Motor and brake junction box all can be left or right to reduce the total height of the machine!

PROI200-1 Series Gearless Traction Machine Specification (Roping 2:1)

Type	Load (kg)	Speed (m/s)	Power (kW)	Current(A) 380V/220V	Speed (rpm)	Frequency (Hz)	Torque (N.m)	Sheave (mm)	Rope nxa-b	Brake current (A)	Net Weight (kg)
PROS320	320	0.3	0.7	3.4/5.8	57	7.6	110	200	3×Ø8-12	1.5	70
	320	0.4	0.9	3.4/5.8	76	10.1	110	200	3×Ø8-12	1.5	70
	320	0.5	1.1	3.8/6.5	96	12.8	110	200	3×Ø8-12	1.5	70
	320	0.63	1.3	3.8/6.5	120	16	110	200	3×Ø8-12	1.5	70
	320	1.0	2.2	5.3/9.2	191	25.5	110	200	3×Ø8-12	1.5	70
PROS400	400	0.3	0.9	4/6.9	57	7.6	135	200	3×Ø8-12	1.5	75
	400	0.4	1.1	4/6.9	76	10.1	135	200	3×Ø8-12	1.5	75
	400	0.5	1.3	4.5/7.8	96	12.8	135	200	3×Ø8-12	1.5	75
	400	0.63	1.7	4.5/7.8	120	16	135	200	3×Ø8-12	1.5	75
	400	1.0	2.7	6.2/10.8	191	25.5	135	200	3×Ø8-12	1.5	75
PROS450	450	0.4	1.3	4.5/7.8	76	10.1	150	200	4×Ø8-12	1.5	75
	450	0.5	1.6	5.1/8.8	96	12.8	150	200	4×Ø8-12	1.5	75
	450	0.63	1.9	5.1/8.8	120	16	150	200	4×Ø8-12	1.5	75
	450	1.0	3.2	6.9/12	191	25.5	150	200	4×Ø8-12	1.5	75
PROS630	630	0.4	1.7	6.5/11.3	76	10.1	210	200	5×Ø8-12	1.75	130
	630	0.5	2.1	6.5/11.3	96	12.8	210	200	5×Ø8-12	1.75	130
	630	0.63	2.7	6.5/11.3	120	16	210	200	5×Ø8-12	1.75	130
	630	1.0	4.2	9.5/16.5	191	25.5	210	200	5×Ø8-12	1.75	130

PROI240 Series Gearless Traction Machine Specification (Roping 2:1)

Type	Load (kg)	Speed (m/s)	Power (kW)	Current(A) 380V/220V	Speed (rpm)	Frequency (Hz)	Torque (N.m)	Sheave (mm)	Rope nxa-b	Brake current (A)	Net Weight (kg)
PROS320	320	0.3	0.7	3.6/6.2	48	6.4	130	240	3×Ø8-12	1.5	85
	320	0.4	0.9	3.6/6.2	64	8.5	130	240	3×Ø8-12	1.5	85
	320	0.5	1.1	4.3/7.5	80	10.7	130	240	3×Ø8-12	1.5	85
	320	0.63	1.3	4.3/7.5	100	13.3	130	240	3×Ø8-12	1.5	85
	320	1.0	2.2	5.7/9.9	159	21.2	130	240	3×Ø8-12	1.5	85
PROS400	400	0.3	0.9	4.5/7.8	48	6.4	160	240	3×Ø8-12	1.5	85
	400	0.4	1.1	4.5/7.8	64	8.5	160	240	3×Ø8-12	1.5	85
	400	0.5	1.3	5.5/9.6	80	10.7	160	240	3×Ø8-12	1.5	85
	400	0.63	1.7	5.5/9.6	100	13.3	160	240	3×Ø8-12	1.5	85
	400	1.0	2.7	7.2/12.4	159	21.2	160	240	3×Ø8-12	1.5	85
PROS450	450	0.4	1.3	5.1/8.8	64	8.5	180	240	4×Ø8-12	1.5	85
	450	0.5	1.6	6.2/10.8	80	10.7	180	240	4×Ø8-12	1.5	85
	450	0.63	1.9	6.2/10.8	100	13.3	180	240	4×Ø8-12	1.5	85
	450	1.0	3.2	8.1/14	159	21.2	180	240	4×Ø8-12	1.5	85
PROS630	630	0.4	1.7	7.8/13.6	64	8.5	250	240	5×Ø8-12	1.75	135
	630	0.5	2.1	7.8/13.6	80	10.7	250	240	5×Ø8-12	1.75	135
	630	0.63	2.7	7.8/13.6	100	13.3	250	240	5×Ø8-12	1.75	135
	630	1.0	4.2	11.5/19.8	159	21.2	250	240	5×Ø8-12	1.75	135
PROS800	800	0.5	2.7	8.1/14	80	10.7	320	240	6×Ø8-12	1.75	155
	800	0.63	3.4	8.1/14	100	13.3	320	240	6×Ø8-12	1.75	155
	800	1.0	5.3	12/20.8	159	21.2	320	240	6×Ø8-12	1.75	155

Note: Other non-standard parameter please contact the technical department!

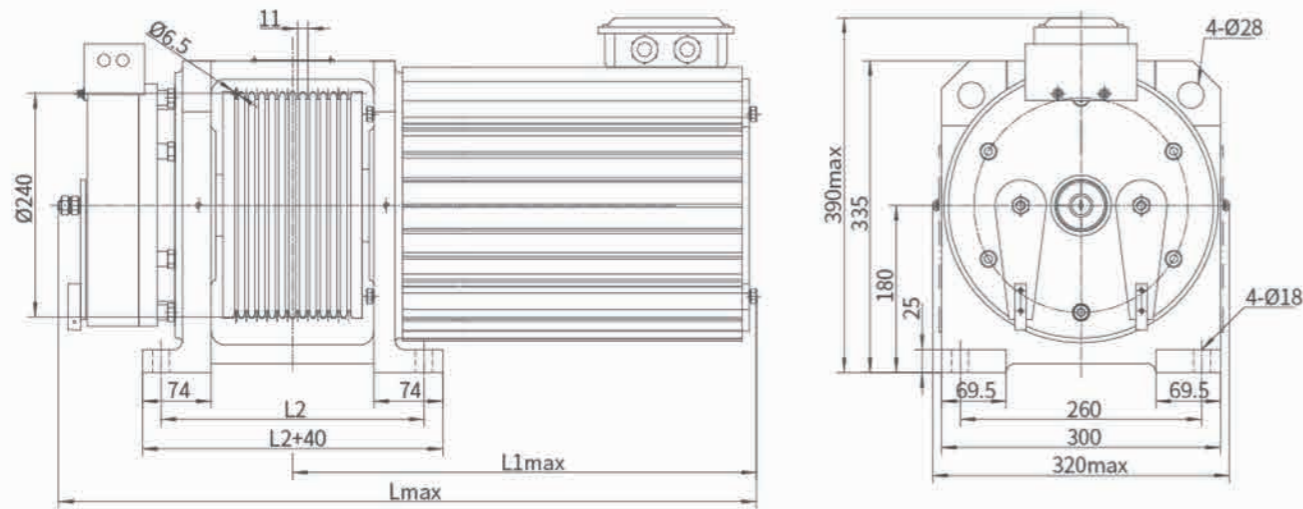
PROI240L Series

Features

Load:450~1350kg Speed:1.0~1.6m/s
 Roping:2:1 Static Load:4000kg
 Voltage:380V INS.Class:F
 IP Code:IP41 Poles:16
 Brake Vol:DC110V Working System:S5-40%



Overall Dimensions



Size Specification Table

(Spec.)	L (mm)	L1 (mm)	L2 (mm)
PROS450	485	265	195
PROS630	510	300	195
PROS800	550	340	195
PROS1000	730	460	283
PROS1250/1350	775	505	283

PROI240L Series Gearless Traction Machine Specification (Roping 2:1)

Type	Load (kg)	Speed (m/s)	Power (kW)	Current(A) 380V	Speed (rpm)	Frequency (Hz)	Torque (N.m)	Sheave (mm)	Rope nxa-b	Brake current (A)	Net Weight (kg)
PROS450	450	1.0	3	7.6	159	21.2	180	240	5xØ6.5-11	1.5	105
	450	1.6	4.8	10.5	255	34	180	240	5xØ6.5-11	1.5	105
PROS630	630	1.0	4.2	9.3	159	21.2	250	240	6xØ6.5-11	1.75	135
	630	1.6	6.7	14	255	34	250	240	6xØ6.5-11	1.75	135
PROS800	800	1.0	5.3	10.8	159	21.2	320	240	7xØ6.5-11	1.75	155
	800	1.6	8.5	18	255	34	320	240	7xØ6.5-11	1.75	155
PROS1000	1000	1.0	6.7	13.8	159	21.2	400	240	9xØ6.5-11	1.75	200
	1000	1.6	10.7	22	255	34	400	240	9xØ6.5-11	1.75	200
PROS1250	1250	1.0	8.3	18	159	21.2	500	240	11xØ6.5-11	2	230
	1250	1.6	13.4	29	255	34	500	240	11xØ6.5-11	2	230
PROS1350	1350	1.0	9	20	159	21.2	540	240	11xØ6.5-11	2	230
	1350	1.6	14.4	32	255	34	540	240	11xØ6.5-11	2	230

Note: Other non-standard parameter please contact the technical department!

PROI200T/PROI240T Series

Features

Load:320~800kg

Roping:2:1

Voltage:380V、220V

IP Code:IP41

Brake Vol:DC110V

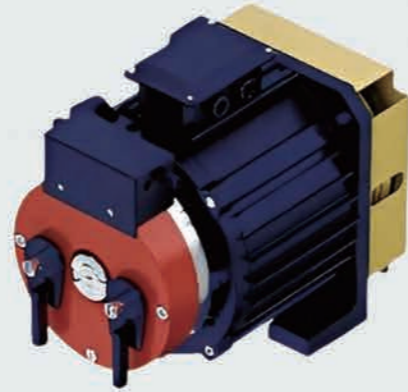
Speed:0.3~1.0m/s

Static Load:3000kg

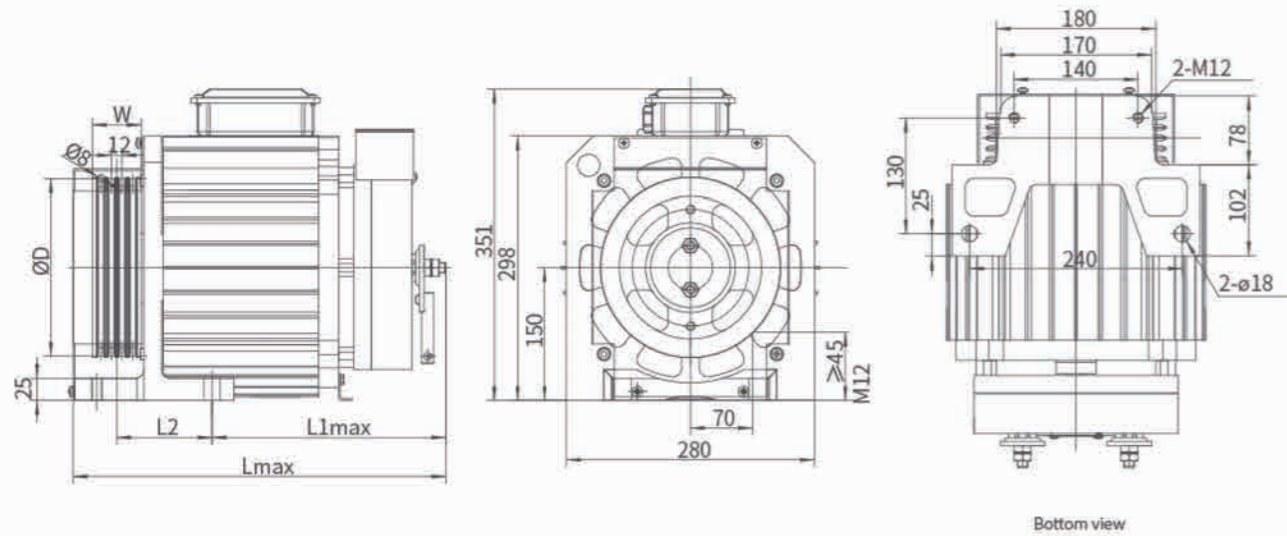
INS.Class:F

Poles:16

Working System:S5-25%



Overall Dimensions



Size Specification Table

(Spec.)	D (mm)	L (mm)	L1 (mm)	L2 (mm)	W (mm)
PROS320	200	390	230	107.5	55
PROS400/450	200	405	245	107.5	55
PROS320/400/450	240	420	260	107.5	55
PROS630	200	455	295	115	70
PROS630	240	455	295	115	70
PROS800	240	490	325	120	80

Note: Motor and brake junction box all can be left or right to reduce the total height of the machine!

PROI200T Series Gearless Traction Machine Specification (Roping 2:1)

Type	Load (kg)	Speed (m/s)	Power (kW)	Current(A) 380V/220V	Speed (rpm)	Frequency (Hz)	Torque (N.m)	Sheave (mm)	Rope nxa-b	Brake current (A)	Net Weight (kg)
PROS320	320	0.3	0.7	3.4/5.8	57	7.6	110	200	3xØ8-12	1.5	85
	320	0.4	0.9	3.4/5.8	76	10.1	110	200	3xØ8-12	1.5	85
	320	0.5	1.1	3.8/6.5	96	12.8	110	200	3xØ8-12	1.5	85
	320	0.63	1.3	3.8/6.5	120	16	110	200	3xØ8-12	1.5	85
	320	1.0	2.2	5.3/9.2	191	25.5	110	200	3xØ8-12	1.5	85
PROS400	400	0.3	0.9	4/6.9	57	7.6	135	200	3xØ8-12	1.5	90
	400	0.4	1.1	4/6.9	76	10.1	135	200	3xØ8-12	1.5	90
	400	0.5	1.3	4.5/7.8	96	12.8	135	200	3xØ8-12	1.5	90
	400	0.63	1.7	4.5/7.8	120	16	135	200	3xØ8-12	1.5	90
	400	1.0	2.7	6.2/10.8	191	25.5	135	200	3xØ8-12	1.5	90
PROS450	450	0.4	1.3	4.5/7.8	76	10.1	150	200	4xØ8-12	1.5	90
	450	0.5	1.6	5.1/8.8	96	12.8	150	200	4xØ8-12	1.5	90
	450	0.63	1.9	5.1/8.8	120	16	150	200	4xØ8-12	1.5	90
	450	1.0	3.2	6.9/12	191	25.5	150	200	4xØ8-12	1.5	90
PROS630	630	0.4	1.7	6.5/11.3	76	10.1	210	200	5xØ8-12	1.75	130
	630	0.5	2.1	6.5/11.3	96	12.8	210	200	5xØ8-12	1.75	130
	630	0.63	2.7	6.5/11.3	120	16	210	200	5xØ8-12	1.75	130
	630	1.0	4.2	9.5/16.5	191	25.5	210	200	5xØ8-12	1.75	130

PROI240T Series Gearless Traction Machine Specification (Roping 2:1)

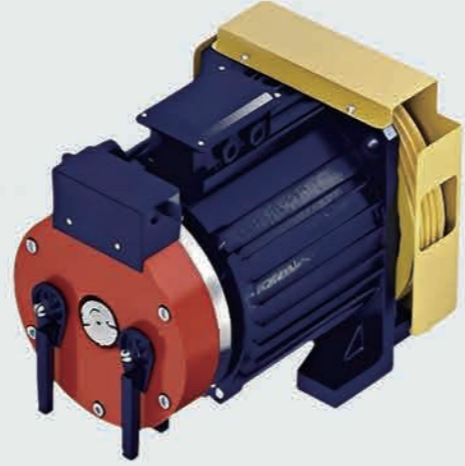
Type	Load (kg)	Speed (m/s)	Power (kW)	Current(A) 380V/220V	Speed (rpm)	Frequency (Hz)	Torque (N.m)	Sheave (mm)	Rope nxa-b	Brake current (A)	Net Weight (kg)
PROS320	320	0.3	0.7	3.6/6.2	48	6.4	130	240	3xØ8-12	1.5	110
	320	0.4	0.9	3.6/6.2	64	8.5	130	240	3xØ8-12	1.5	110
	320	0.5	1.1	4.3/7.5	80	10.7	130	240	3xØ8-12	1.5	110
	320	0.63	1.3	4.3/7.5	100	13.3	130	240	3xØ8-12	1.5	110
	320	1.0	2.2	5.7/9.9	159	21.2	130	240	3xØ8-12	1.5	110
PROS400	400	0.3	0.9	4.5/7.8	48	6.4	160	240	3xØ8-12	1.5	110
	400	0.4	1.1	4.5/7.8	64	8.5	160	240	3xØ8-12	1.5	110
	400	0.5	1.3	5.5/9.6	80	10.7	160	240	3xØ8-12	1.5	110
	400	0.63	1.7	5.5/9.6	100	13.3	160	240	3xØ8-12	1.5	110
PROS450	400	1.0	2.7	7.2/12.4	159	21.2	160	240	3xØ8-12	1.5	110
	450	0.4	1.3	5.1/8.8	64	8.5	180	240	4xØ8-12	1.5	110
	450	0.5	1.6	6.2/10.8	80	10.7	180	240	4xØ8-12	1.5	110
PROS630	450	0.63	1.9	6.2/10.8	100	13.3	180	240	4xØ8-12	1.5	110
	450	1.0	3.2	8.1/14	159	21.2	180	240	4xØ8-12	1.5	110
	630	0.4	1.7	7.8/13.6	64	8.5	250	240	5xØ8-12	1.75	135
PROS800	630	0.5	2.1	7.8/13.6	80	10.7	250	240	5xØ8-12	1.75	135
	630	0.63	2.7	7.8/13.6	100	13.3	250	240	5xØ8-12	1.75	135
	630	1.0	4.2	11.5/19.8	159	21.2	250	240	5xØ8-12	1.75	135
PROS800	800	0.5	2.7	8.1/14	80	10.7	320	240	6xØ8-12	1.75	160
	800	0.63	3.4	8.1/14	100	13.3	320	240	6xØ8-12	1.75	160
	800	1.0	5.3	12/20.8	159	21.2	320	240	6xØ8-12	1.75	160

Note: Other non-standard parameter please contact the technical department!

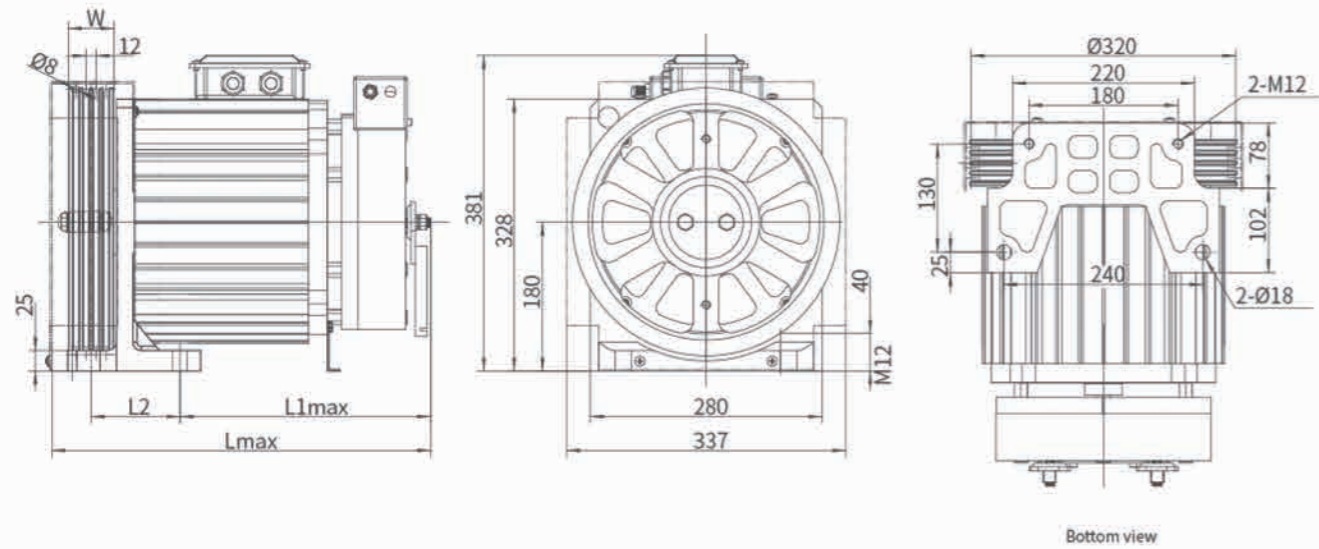
PROI320T Series

Features

Load:320~630kg Speed:0.4~1.75m/s
 Roping:2:1 Static Load:3000kg
 Voltage:380V、220V INS.Class:F
 IP Code:IP41 Poles:16
 Brake Vol:DC110V Brake Current:1.75A
 Working System:S5-40%



Overall Dimensions



Size Specification Table

(Spec.)	L (mm)	L1 (mm)	L2 (mm)	W (mm)
PROS320/400/450	460	310	109.5	55
PROS630	510	360	117	70

Note: Motor and brake junction box all can be left or right to reduce the total height of the machine!

PROI320T Series Gearless Traction Machine Specification (Roping 2:1)

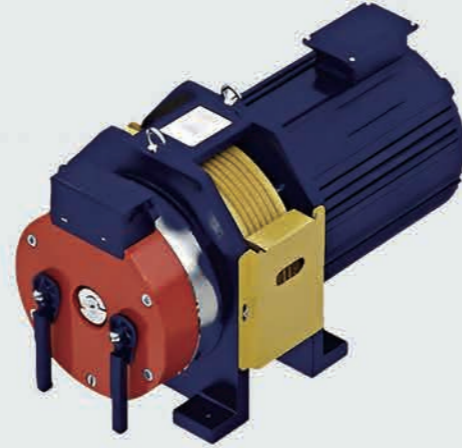
Type	Load (kg)	Speed (m/s)	Power (kW)	Current(A) 380V/220V	Speed (rpm)	Frequency (Hz)	Torque (N.m)	Sheave (mm)	Rope n×a-b	Net Weight (kg)
PROS320	320	0.4	0.9	3.9/6.8	48	6.4	175	320	3×Ø8-12	150
	320	0.5	1.1	3.9/6.8	60	8	175	320	3×Ø8-12	150
	320	0.63	1.3	4.6/8	75	10	175	320	3×Ø8-12	150
	320	1.0	2.2	5.4/9.3	119	15.9	175	320	3×Ø8-12	150
PROS400	400	0.4	1.1	4.9/8.5	48	6.4	215	320	3×Ø8-12	150
	400	0.5	1.3	4.9/8.5	60	8	215	320	3×Ø8-12	150
	400	0.63	1.7	5.8/10	75	10	215	320	3×Ø8-12	150
	400	1.0	2.7	6.7/11.6	119	15.9	215	320	3×Ø8-12	150
PROS450	450	0.4	1.3	5.6/9.7	48	6.4	245	320	4×Ø8-12	150
	450	0.5	1.6	5.6/9.7	60	8	245	320	4×Ø8-12	150
	450	0.63	1.9	6.5/11.3	75	10	245	320	4×Ø8-12	150
	450	1.0	3.2	7.6/13.2	119	15.9	245	320	4×Ø8-12	150
PROS630	630	0.4	1.7	7.5/13	48	6.4	340	320	5×Ø8-12	150
	630	0.5	2.1	7.5/13	60	8	340	320	5×Ø8-12	185
	630	0.63	2.7	8.4/14.5	75	10	340	320	5×Ø8-12	185
	630	1.0	4.2	9.8/17	119	15.9	340	320	5×Ø8-12	185
	630	1.5	6.4	16.2/28	179	23.9	340	320	5×Ø8-12	185
	630	1.6	6.8	16.2/28	191	25.5	340	320	5×Ø8-12	185
	630	1.75	7.4	16.2/28	209	27.9	340	320	5×Ø8-12	185

Note: Other non-standard parameter please contact the technical department!

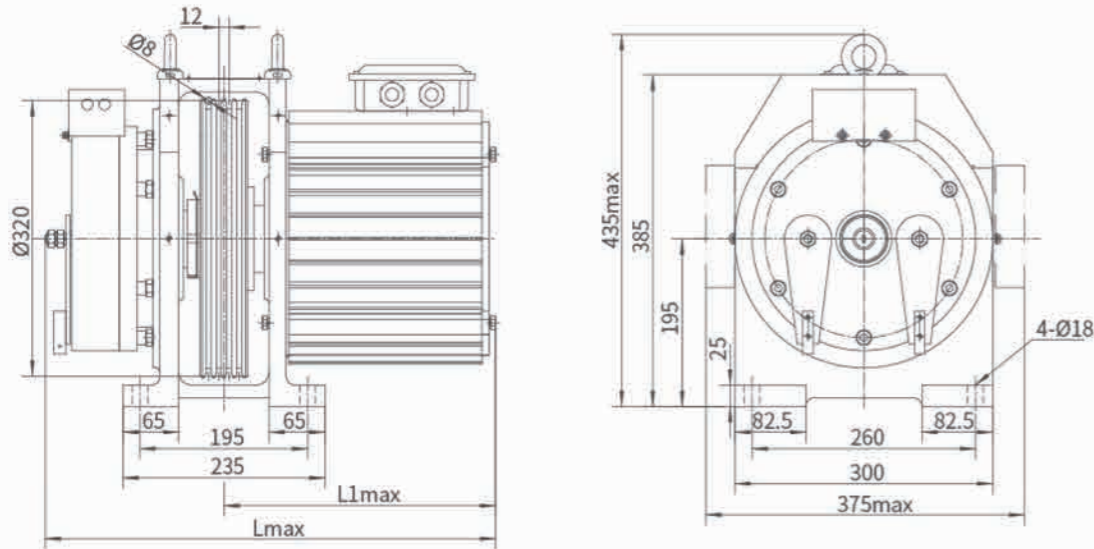
PROI320 Series

Features

Load:320~630kg Speed:0.4~1.75m/s
 Roping:2:1 Static Load:3000kg
 Voltage:380V、220V INS.Class:F
 IP Code:IP41 Poles:16
 Brake Vol:DC110V Brake Current:1.75A
 Working System:S5-40%



Overall Dimensions



Size Specification Table

(Spec.)	L (mm)	L1 (mm)
PROS320/400/450	510	300
PROS630	565	355

PROI320 Series Gearless Traction Machine Specification (Roping 2:1)

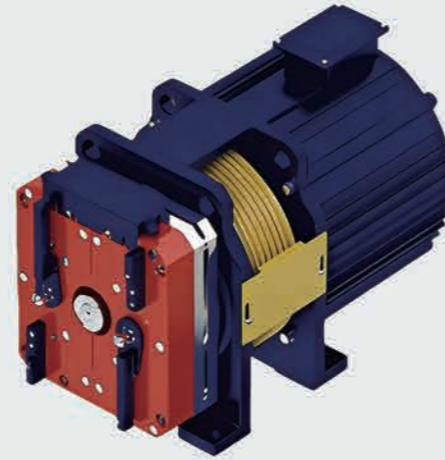
Type	Load (kg)	Speed (m/s)	Power (kW)	Current(A) 380V/220V	Speed (rpm)	Frequency (Hz)	Torque (N.m)	Sheave (mm)	Rope nxa-b	Net Weight (kg)
PROS320	320	0.4	0.9	3.9/6.8	48	6.4	175	320	3×Ø8-12	150
	320	0.5	1.1	3.9/6.8	60	8	175	320	3×Ø8-12	150
	320	0.63	1.3	4.6/8	75	10	175	320	3×Ø8-12	150
	320	1.0	2.2	5.4/9.3	119	15.9	175	320	3×Ø8-12	150
PROS400	400	0.4	1.1	4.9/8.5	48	6.4	215	320	3×Ø8-12	150
	400	0.5	1.3	4.9/8.5	60	8	215	320	3×Ø8-12	150
	400	0.63	1.7	5.8/10	75	10	215	320	3×Ø8-12	150
	400	1.0	2.7	6.7/11.6	119	15.9	215	320	3×Ø8-12	150
PROS450	450	0.4	1.3	5.6/9.7	48	6.4	245	320	4×Ø8-12	150
	450	0.5	1.6	5.6/9.7	60	8	245	320	4×Ø8-12	150
	450	0.63	1.9	6.5/11.3	75	10	245	320	4×Ø8-12	150
	450	1.0	3.2	7.6/13.2	119	15.9	245	320	4×Ø8-12	150
PROS630	630	0.4	1.7	7.5/13	48	6.4	340	320	5×Ø8-12	170
	630	0.5	2.1	7.5/13	60	8	340	320	5×Ø8-12	170
	630	0.63	2.7	8.4/14.5	75	10	340	320	5×Ø8-12	170
	630	1.0	4.2	9.8/17	119	15.9	340	320	5×Ø8-12	170
	630	1.5	6.4	16.2/28	179	23.9	340	320	5×Ø8-12	170
	630	1.6	6.8	16.2/28	191	25.5	340	320	5×Ø8-12	170
	630	1.75	7.4	16.2/28	209	27.9	340	320	5×Ø8-12	170

Note: Other non-standard parameter please contact the technical department!

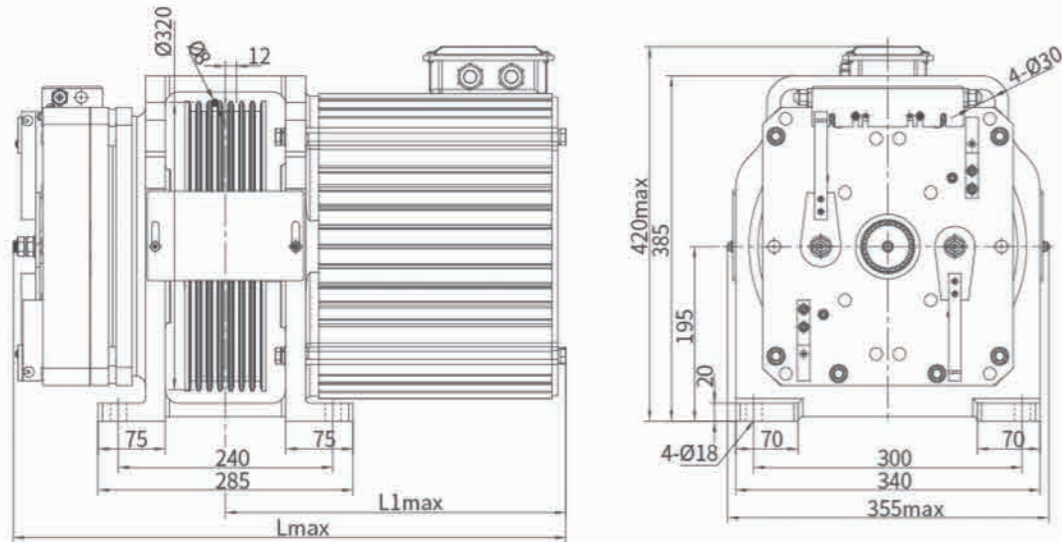
PROI320A Series

Features

Load:630~1000kg Speed:1.0~1.75m/s
 Roping:2:1 Static Load:3000kg
 Voltage:380V INS.Class:F
 IP Code:IP41 Poles:24
 Brake Vol:DC110V Brake Current:2×1.5A
 Working System:S5-40%



Overall Dimensions



Size Specification Table

(Spec.)	L (mm)	L1 (mm)
PROS630	590	340
PROS800	590	340
PROS1000	630	385

PROI320A Series Gearless Traction Machine Specification (Roping 2:1)

Type	Load (kg)	Speed (m/s)	Power (kW)	Current(A) 380V	Speed (rpm)	Frequency (Hz)	Torque (N.m)	Sheave (mm)	Rope n×a-b	Net Weight (kg)
PROS630	630	1.0	4.2	10.5	119	23.8	340	320	5×Ø8-12	230
	630	1.5	6.4	17	179	35.8	340	320	5×Ø8-12	230
	630	1.6	6.8	17	191	38.2	340	320	5×Ø8-12	230
	630	1.75	7.4	17	209	41.8	340	320	5×Ø8-12	230
PROS800	800	1.0	5.4	13	119	23.8	430	320	6×Ø8-12	230
	800	1.5	8.1	22	179	35.8	430	320	6×Ø8-12	230
	800	1.6	8.6	22	191	38.2	430	320	6×Ø8-12	230
	800	1.75	9.4	22	209	41.8	430	320	6×Ø8-12	230
PROS1000	1000	1.0	6.7	16	119	23.8	535	320	7×Ø8-12	250
	1000	1.5	10	26	179	35.8	535	320	7×Ø8-12	250
	1000	1.6	10.7	26	191	38.2	535	320	7×Ø8-12	250
	1000	1.75	11.7	26	209	41.8	535	320	7×Ø8-12	250

Note: Other non-standard parameter please contact the technical department!

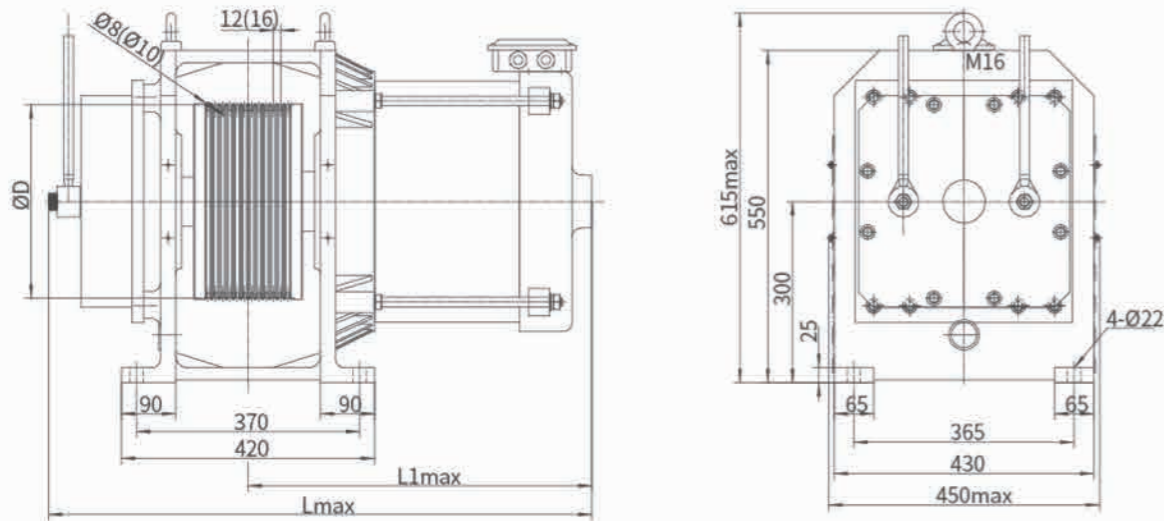
PROI32.N Series

Features

Load:1350~2000kg Speed:0.5~2.0m/s
 Roping:2:1 Static Load:5000kg
 Voltage:380V INS.Class:F
 IP Code:IP41 Poles:24
 Brake Vol:DC110V Brake Current:2X4A
 Working System:S5-40% Wrap:Single winding



Overall Dimensions



Size Specification Table

(Spec.)	D (mm)	L (mm)	L1 (mm)
PROS1350/1600	320	900	570
PROS2000	320	945	615
PROS1350	400	900	570
PROS1600	400	945	615

PROI32.N Series Gearless Traction Machine Specification (Roping 2:1; Single Wrap)

Type	Load (kg)	Speed (m/s)	Power (kW)	Current(A) 380V	Speed (rpm)	Frequency (Hz)	Torque (N.m)	Sheave (mm)	Rope n×a-b	Net Weight (kg)
PROS1350	1350	1	9.1	19.5	119	23.8	730	320	12×Ø8-12	550
	1350	1.5	13.7	31.2	179	35.8	730	320	12×Ø8-12	550
	1350	1.6	14.6	31.2	191	38.2	730	320	12×Ø8-12	550
	1350	1.75	16	31.2	209	41.8	730	320	12×Ø8-12	550
PROS1600	1600	1	10.7	23	119	23.8	860	320	12×Ø8-12	550
	1600	1.5	16.1	36.8	179	35.8	860	320	12×Ø8-12	550
	1600	1.6	17.2	36.8	191	38.2	860	320	12×Ø8-12	550
	1600	1.75	18.8	36.8	209	41.8	860	320	12×Ø8-12	550
PROS2000	2000	0.5	6.9	14.2	60	12	1100	320	12×Ø8-12	600
	2000	1	13.7	29	119	23.8	1100	320	12×Ø8-12	600
	2000	1.5	20.6	50	179	35.8	1100	320	12×Ø8-12	600
	2000	1.6	22	50	191	38.2	1100	320	12×Ø8-12	600
	2000	1.75	24.1	50	209	41.8	1100	320	12×Ø8-12	600
PROS1350	1350	1	9.1	24.3	96	19.2	910	400	8×Ø10-16	550
	1350	1.5	13.6	34.5	143	28.6	910	400	8×Ø10-16	550
	1350	1.6	14.6	34.5	153	30.6	910	400	8×Ø10-16	550
	1350	1.75	15.9	34.5	167	33.4	910	400	8×Ø10-16	550
	1350	2.0	18.2	38.9	191	38.2	910	400	8×Ø10-16	550
PROS1600	1600	1	11.1	29	96	19.2	1100	400	8×Ø10-16	600
	1600	1.5	16.5	38.5	143	28.6	1100	400	8×Ø10-16	600
	1600	1.6	17.6	38.5	153	30.6	1100	400	8×Ø10-16	600
	1600	1.75	19.2	38.5	167	33.4	1100	400	8×Ø10-16	600
	1600	2.0	22	50	191	38.2	1100	400	8×Ø10-16	600

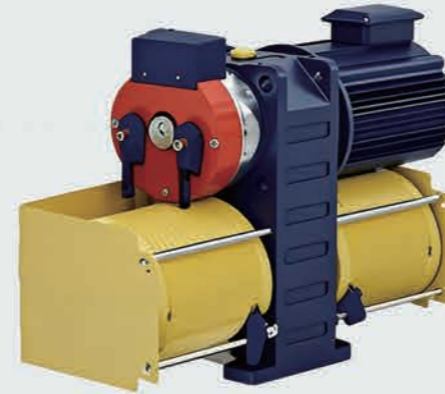
Note: Other non-standard parameter please contact the technical department!

PROI268V/PROI268H Series

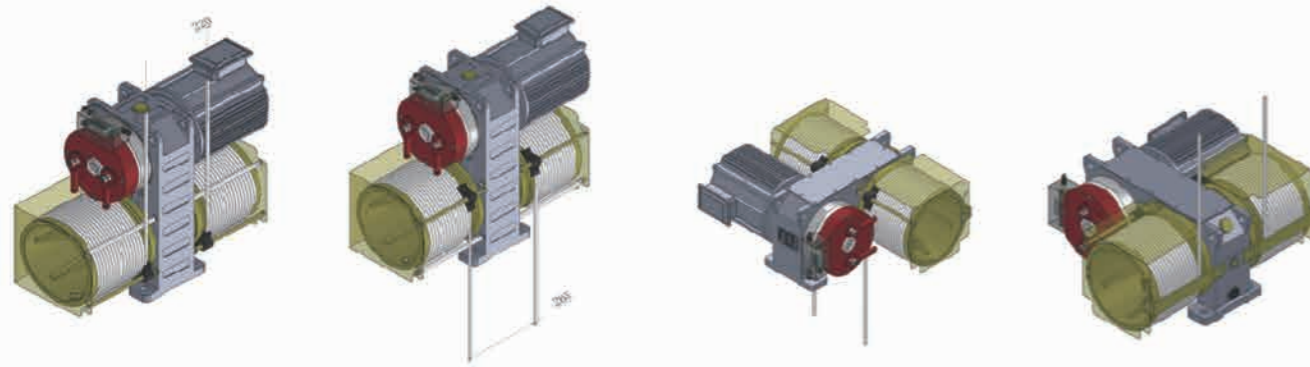
Features

Static Load:5000kg
 Lifting Height:12m/15m
 Rated Load:P+Q=1150kg
 Brake Vol:DC110V
 Brake Current:1.5A
 Roping:1:1
 Working System:S5-25%

Reduction Ratio:1/8
 Roller Diameter:270mm
 Rope:2-8/10
 Weight:215kg
 Gear Lubrication:H4.5L/V5.5L



Positive Drive Machine Installation Method Diagram



D-type 268V: Bottom mounted vertical upward rope outlet

E-type 268V: Upward mounted vertical downward rope outlet

A-type 268H: Upward mounted horizontal downward rope outlet

C-type 268H: Bottom mounted horizontal upward rope outlet

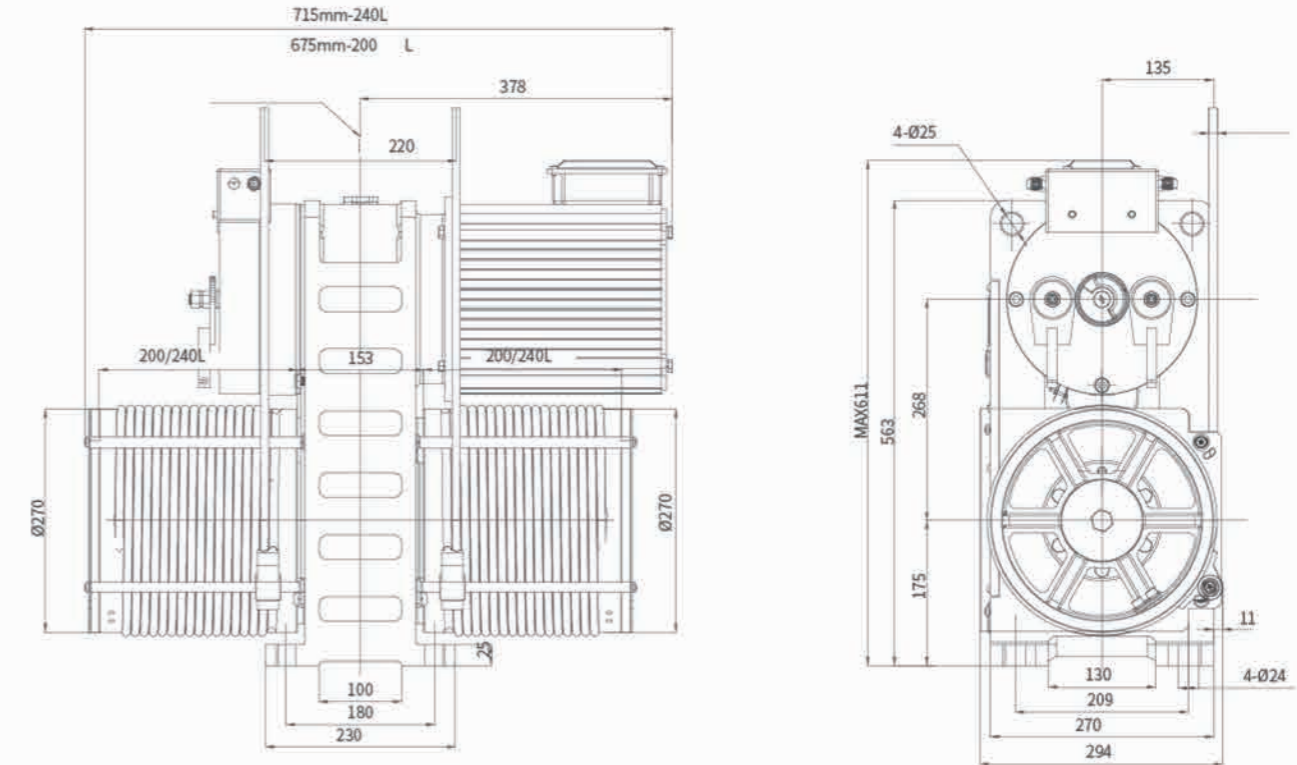
PROI268V/PROI268H Series Positive Drive Traction Machine Specification

Type	Load (kg)	Speed (m/s)	Power (kW)	Current(A) 380V/220V	Speed (RPM)	Frequency (Hz)	Output Torque (N.m)	Poles
PROI268V /PROI268H	700	0.3	2.1	8.1/12.5	170	22.6	945	16
	800	0.3	2.4	9.2/13.5	170	22.6	1080	16
	900	0.3	2.7	10.4/15	170	22.6	1215	16
	1000	0.3	3	11.5/16.5	170	22.6	1350	16
	700	0.4	2.8	8.1/12.5	226	30.2	945	16
	800	0.4	3.2	9.2/13.5	226	30.2	1080	16
	900	0.4	3.6	10.4/15	226	30.2	1215	16
	1000	0.4	4	11.5/16.5	226	30.2	1350	16
	1150	0.4	4.6	13.3/—	226	30.2	1555	16

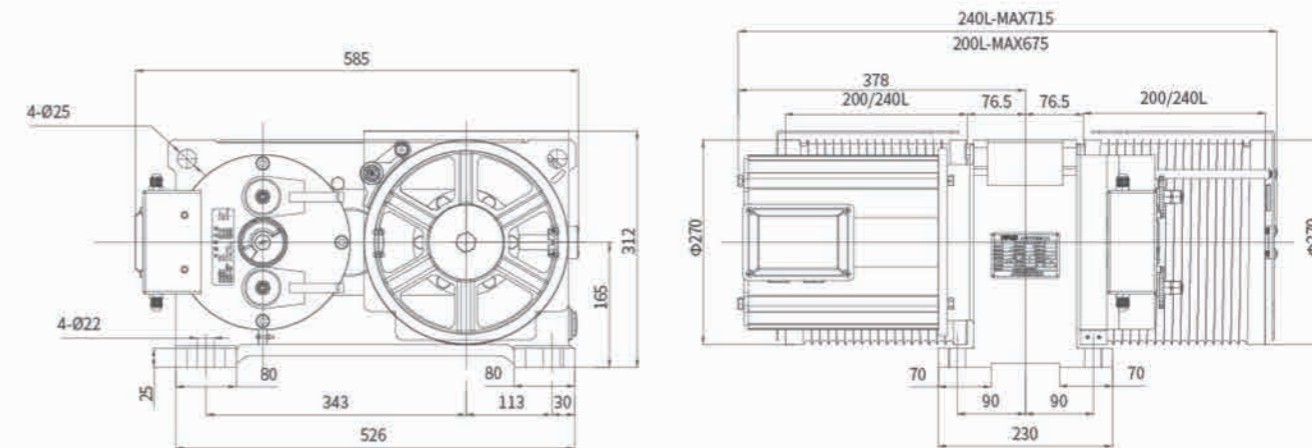
Note: non-standard product parameters need technical confirmation.

Installation dimensional drawing

PROI268V vertical mounting dimension



PROI268H horizontal mounting dimension



Note: when the machine is installed on top and the car reaches the top, the steel wire rope must be vertical, otherwise there will be off-grove or wire friction sound.

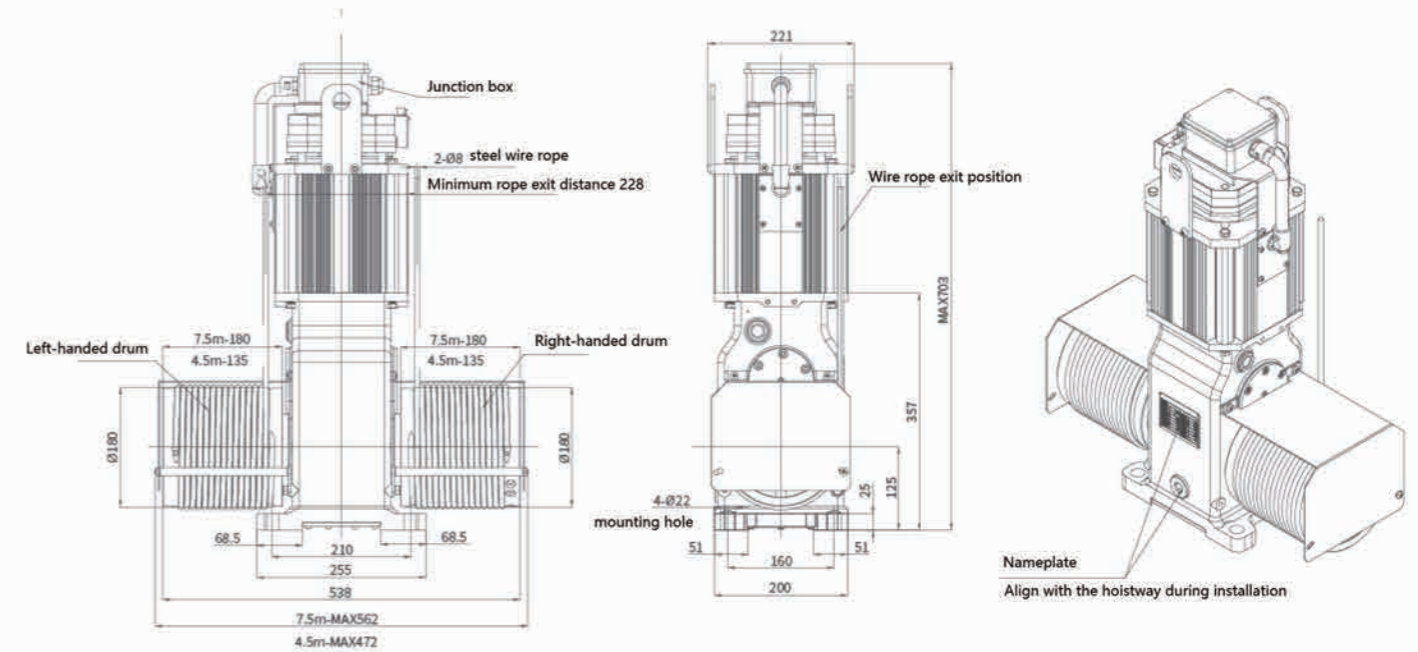
PROI125W Series



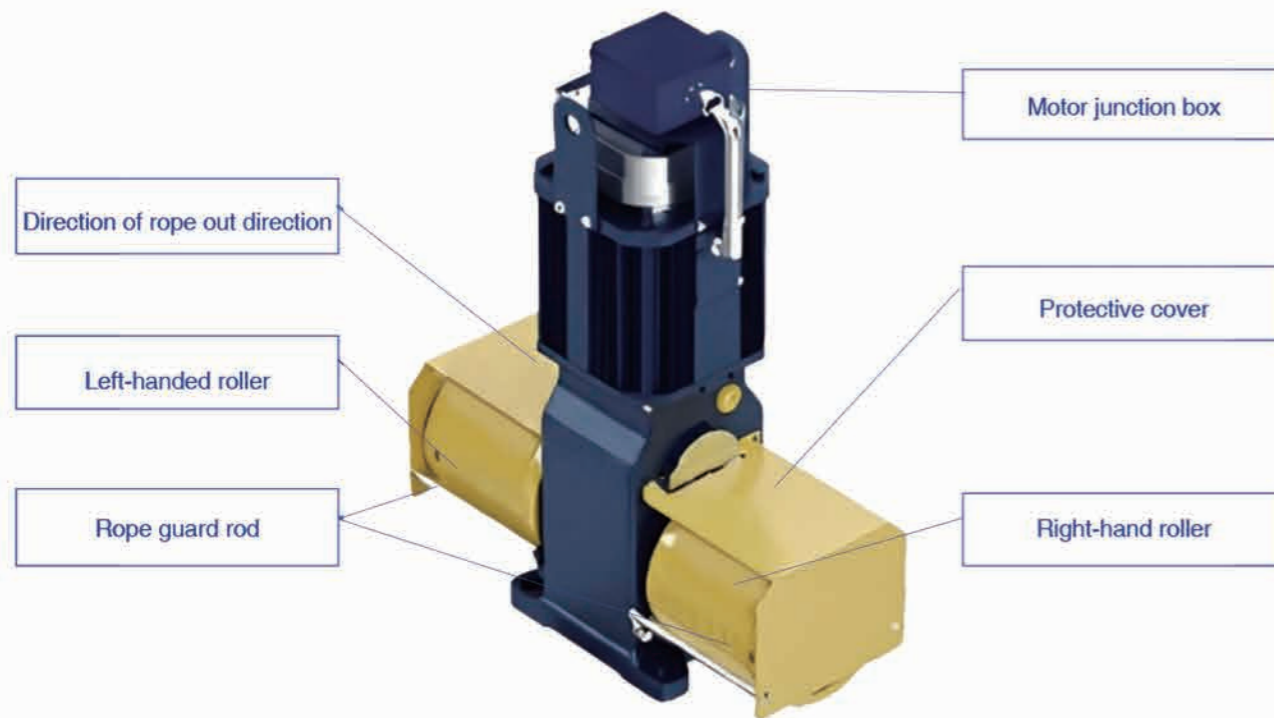
Features

- Reduction Ratio): 1/10
- Roller Diameter): 180mm
- Rope): 2-8
- Weight): 115kg
- 320#
- Gear Lubrication: 3.5L
- Static Load: 3500kg
- Lifting Height: 4.5m/7.5m
- Rated Load: P+Q=700kg
- Brake Vol: DC110V
- Brake Current: 0.96A
- Roping: 1:1
- Working System: S5-25%

Installation dimensional drawing



Positive Drive Machine Installation Method Diagram



PROI125W Series Positive Drive Machine Specification

Type	Load (kg)	Speed (m/s)	Power (kW)	Current (A) 380V/220V	Speed (RPM)	Frequency (Hz)	Output Torque (N.m)	Poles
PROI125W	500	0.15	0.9	2.4/4.0	159	21.2	540	16
	600	0.15	1.1	2.9/5.0	159	21.2	660	16
	700	0.15	1.2	3.4/5.9	159	21.2	720	16
	500	0.3	1.8	3.8/6.5	318	42.4	540	16
	600	0.3	2.2	4.5/7.8	318	42.4	660	16
	700	0.3	2.5	5.3/9.2	318	42.4	720	16

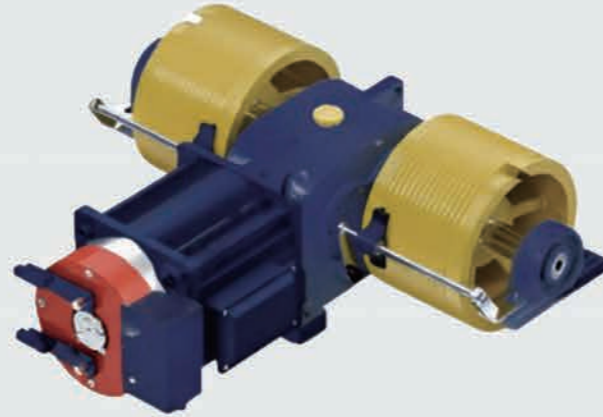
Note: non-standard product parameters need technical confirmation.

PROI128 Series

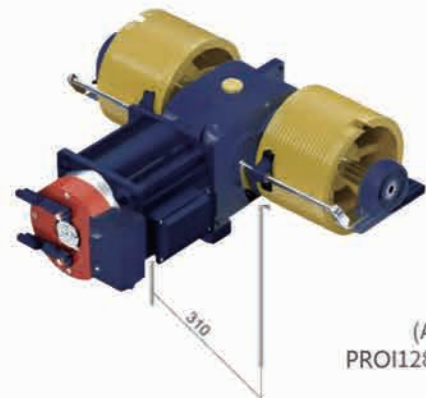
Features

Static Load:4500kg
 Lifting Height:4.5/8/12m
 Rated Load:P+Q=700Kg
 Brake Vol:DC110V
 Brake Current:1.1A
 Roping:1:1
 Working System:S5-25%

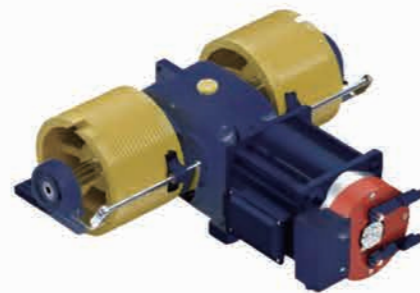
Reduction Ratio: 1/10
 Roller Diameter:Φ240mm
 Rope:2-Φ8
 Weight):110kg
 320#
 Gear Lubrication: 3.5L



Positive Drive Machine Installation Method Diagram



(A type):
PROI128-8~12m



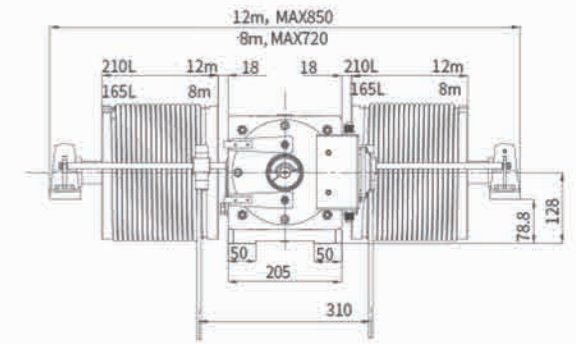
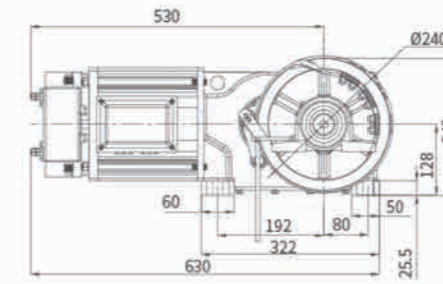
(B type):
PROI128-4.5m

PROI128 Series Positive Drive Machine Machine Specification

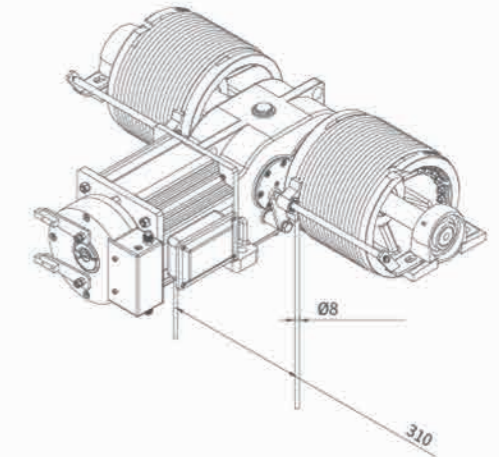
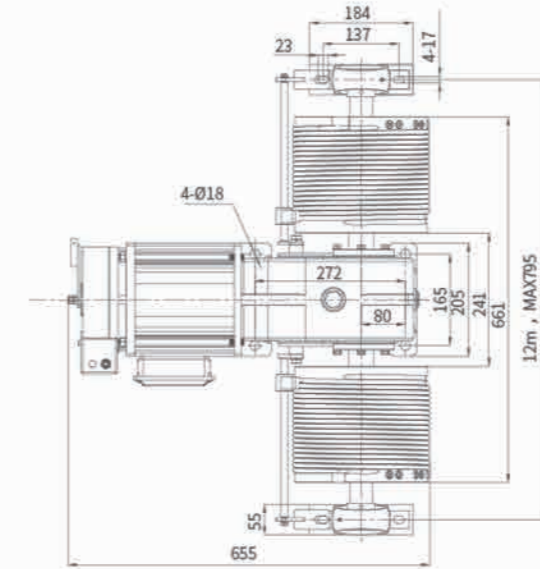
Type	Load (kg)	Speed (m/s)	Power (kW)	Current(A) 380V/220V	Speed (rpm)	Frequency (Hz)	Torque (N.m)	Poles
PROI128	500	0.15	0.75	3.4/5.8	120	16	600	16
	600	0.15	0.9	4.1/7.0	120	16	720	16
	700	0.15	1.1	4.7/8.2	120	16	840	16
	500	0.3	1.5	3.6/6.2	240	32	600	16
	600	0.3	1.8	4.4/7.5	240	32	720	16
	700	0.3	2.1	5.0/8.7	240	32	840	16

Note: non-standard product parameters need technical confirmation.

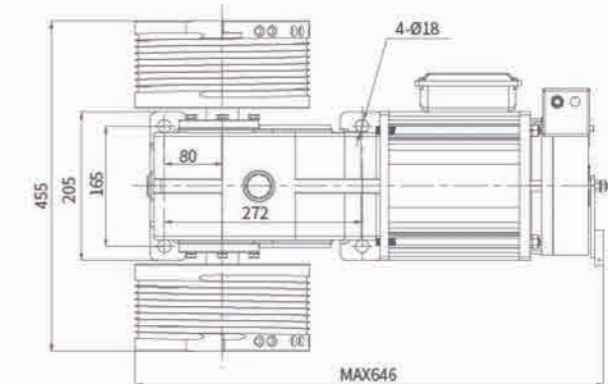
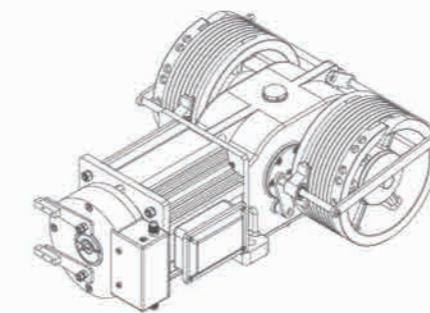
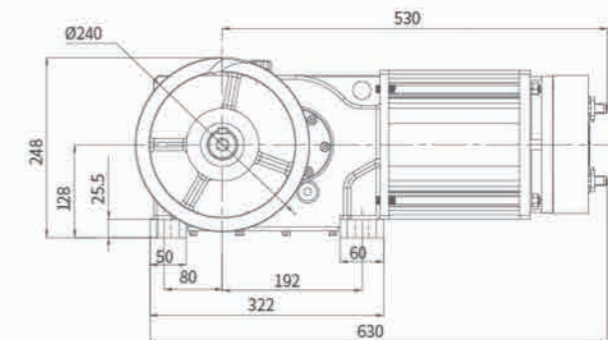
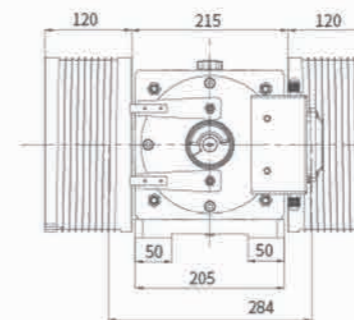
Installation dimensional drawing



PROI128-8~12m mounting dimension



PROI128-4.5m mounting dimension



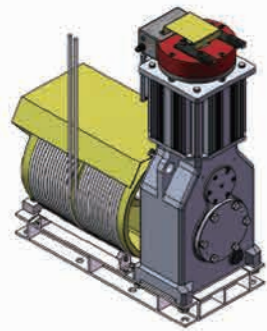
Note: the installation distance of bearing block can be adjusted according to customer's requirements.
 This product can provide guide pulley, full-steel wire rope, rope fastening and other accessories.

PROI135 Series

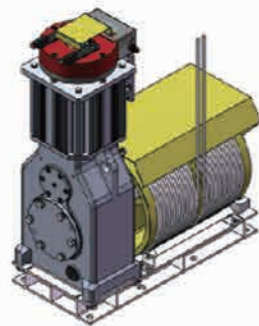
Features

Static Load:5000kg
 Lifting Height:12m
 Rated Load:P+Q=1000Kg
 Brake Vol:DC110V
 Brake Current:1.1A
 Roping:1:1
 Working System:S5-25%

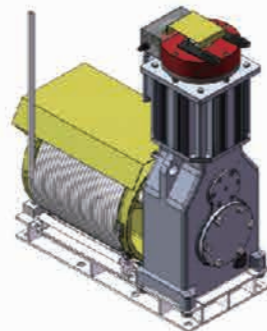
Reduction Ratio: 1/15
 Roller Diameter:Φ320mm
 Rope:2-Φ8
 Weight):200kg
 320#
 Gear Lubrication: 5L



PROI135-G09 right machine



PROI135-G10 left machine



PROI135-G11 right machine



PROI135-G12 left machine

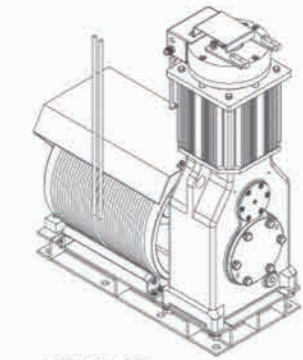
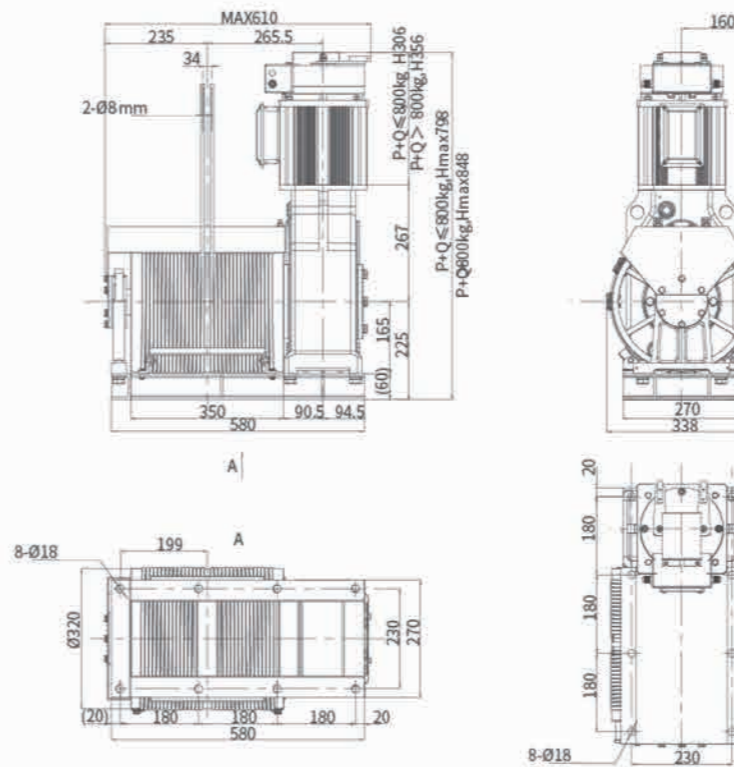
PROI135 Series Positive Drive Machine Specification

Type	Load (kg)	Speed (m/s)	Power (kW)	Current(A) 380V/220V	Speed (rpm)	Frequency (Hz)	Torque (N.m)	Poles
PROI135	600	0.3	1.8	5.9/10.1	270	36	955	16
	800	0.3	2.4	7.8/13.5	270	36	1275	16
	1000	0.3	3	9/15.6	270	36	1590	16
	600	0.4	2.4	5.9/10.1	360	48	955	16
	800	0.4	3.2	7.8/13.5	360	48	1275	16
	1000	0.4	4	9/15.6	360	48	1590	16

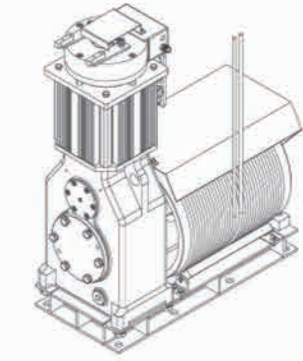
Note: When P+Q ≤ 800kg, it is recommended to use a full steel core wire rope (with a breaking load of 42kN); When P+Q>800kg, it is recommended to use Italian imported steel wire rope (with a breaking load of 62kN).

Installation dimensional drawing

PROI135-G09/10 mounting dimension

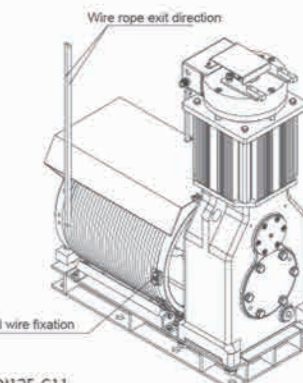
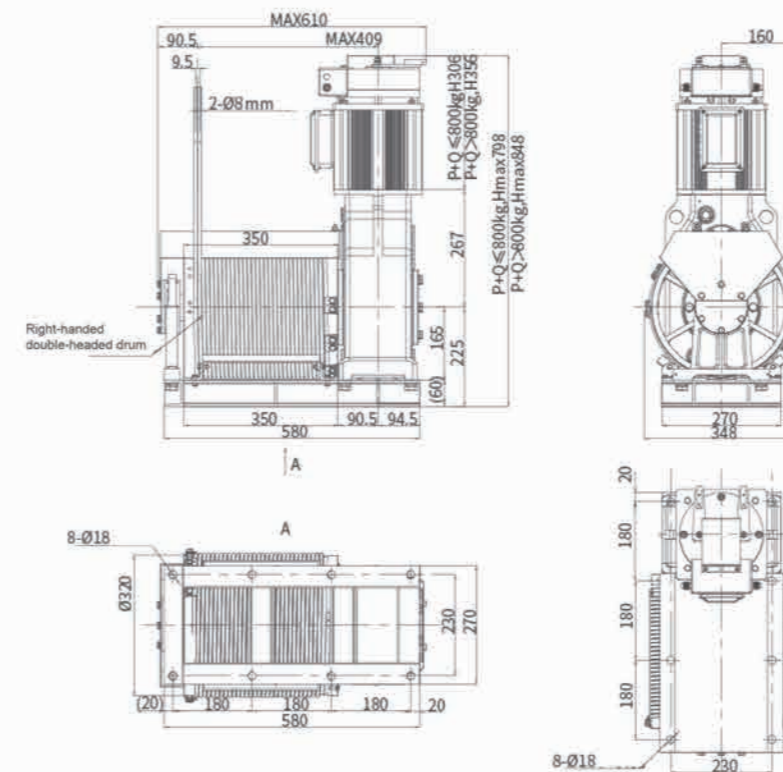


PROI135-G09

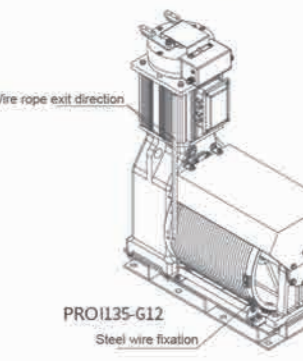


PROI135-G10

PROI135-G11/12 mounting dimension



PROI135-G11



PROI135-G12

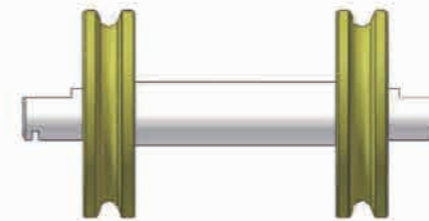
Table of Selection Parameters for Low Voltage Machine

Type	Roping	Sheave (mm)	Load (kg)	Speed (m/s)	Power (kW)	Voltage (V)	Current (A)	Speed (rpm)	Frequency (Hz)	Torque (N.m)	Brake Vol (VDC)
PROI86S	2:1	86	400	0.4	1.1	32	28	178	23.7	60	48
PROI100S/PROI100-FG /PROI100X-FG	2:1	100	400	0.4	1.1	32	32	153	20.4	70	48
PROI200-1/PROI200-2 /PROI200T	2:1	200	400	0.4	1.1	32	36	76	10.1	135	48
PROI200-FG/PROI160XB	2:1	200	400	0.4	1.1	32	35	76	10.1	135	48
PROI160XB	2:1	160	400	0.4	1.1	32	36	96	12.8	105	48
PROI150A/PROI150-FG	2:1	150	400	0.4	1.1	32	37	102	13.6	100	48
PROI80S	1:1	80	400	0.4	1.1	32	37	96	12.8	105	48
PROI80S	1:1	80	320	0.4	0.9	32	35	96	12.8	90	48
PROI100S	1:1	100	400	0.4	1.1	32	42	76	10.1	135	48
PROI100S	1:1	100	320	0.4	0.9	32	34	76	10.1	110	48
PROI100A	1:1	100	400	0.4	1.1	32	35	76	10.1	135	48
PROI100A	1:1	100	320	0.4	0.9	32	35	76	10.1	110	48

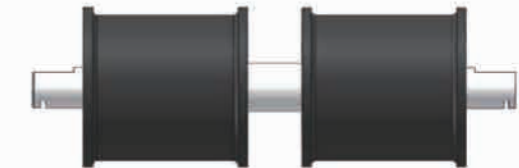
Note: Please contact our company for specific parameters and external dimensions for confirmation.

Accessories Series

Guide Pulley Assembly



Two Slots Pulley



No Slot Pulley

Active Rope Head Combination Accessories



Without Spring



With Spring

Guide Pulley



Belt Clip



Belt

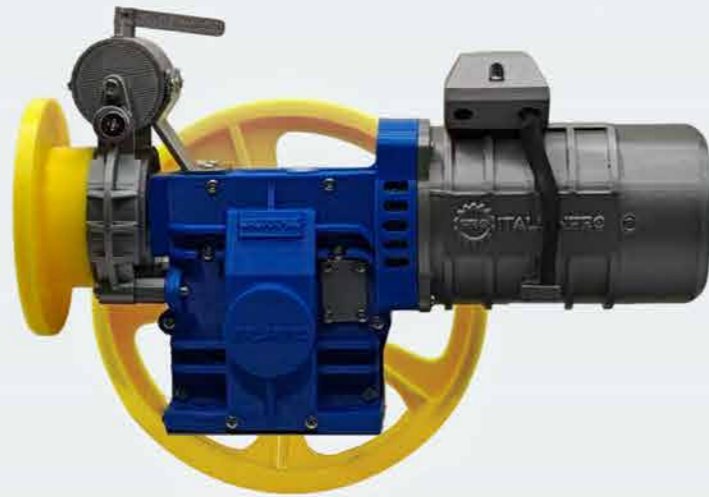


Belt Breaking Detect



PRO063 Series

GEARED MACHINE



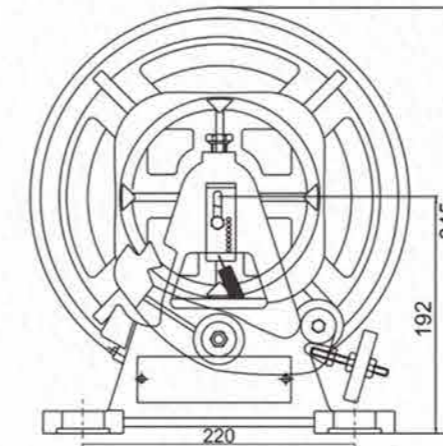
PRO00101 Series

OVER SPEED GOVERNOR (0300) WITH SWITCH

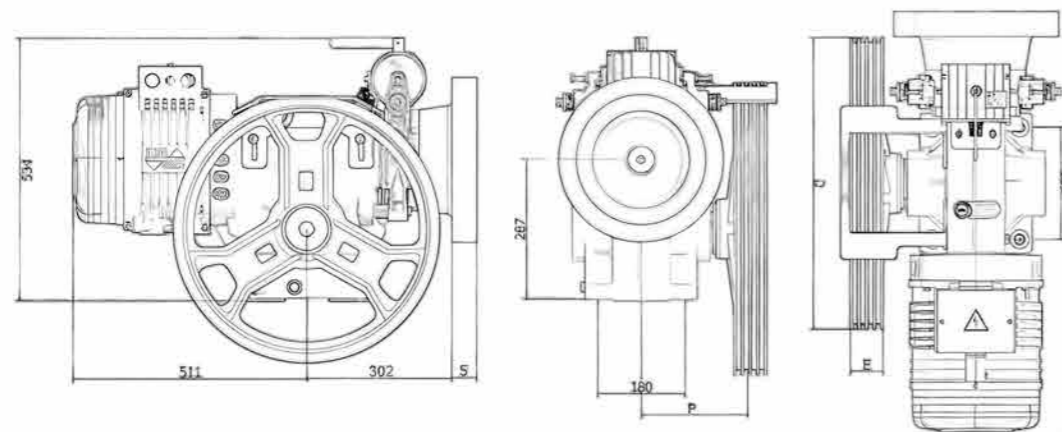


50Hz	PRO063			SYNCHRONOUS POWER KWS			
				4,40	5,00	5,50	6,00
1500 1500/375 rpm 4-4/16 POLES	TRACTION SHEAVE Dia:mm	SPEED Mt/Sec	RATIO	SYNCHRONOUS POWER HP			
				6,00	6,70	7,50	8,00
DRIVE SYSTEM AC2 SP&VVVF ROPING 1:1	480	0,65	1,58	630	700		
	480	0,72	1,52	590	630	735	740
	480	0,84	1,45	510	580	635	680

60Hz	PRO063			SYNCHRONOUS POWER KWS			
				5,00	5,50	6,00	6,70
1800 1800/450 rpm 4-4/16 POLES	TRACTION SHEAVE Dia:mm	SPEED Mt/Sec	RATIO	SYNCHRONOUS POWER HP			
				6,70	7,50	8,00	9,00
DRIVE SYSTEM AC2 SP&VVVF ROPING 1:1	480	0,78	1,58	620	680	700	710
	480	0,87	1,52	558	624	646	726
	480	1,00	1,45	505	565	610	690



- Sheave Dia - 300mm
- Rope Dia - 6-8mm
- Action - Bi = directional



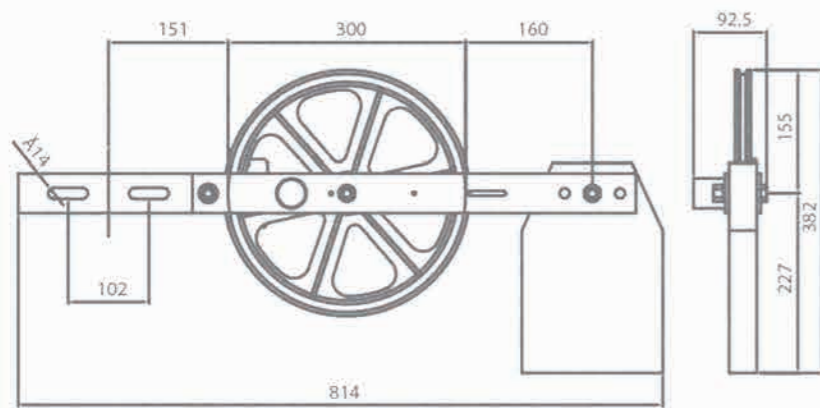
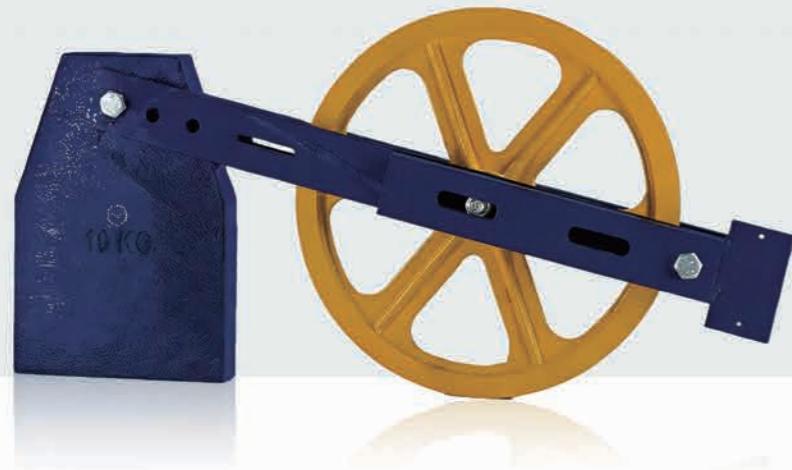
TRACTION SHEAVE D (mm)	DISTANCE P (mm)	FLYWELL DEPTH S (mm)	TATIC LOAD Kg /Kgs	STATIC LOAD DIRECTION (%)
480	205	15-50	2600	100% 100% 100% 100%

AS PER EN NORMS			
Code	Nominal speed max m/s	Electrical tripping speed m/s	Mechanical tripping speed m/s
PRO01011	0.50	0.58	0.63
PRO01012	0.63	0.72	0.79
PRO01013	0.82	0.94	1.03
PRO01014	1.00	1.15	1.25
PRO01015	1.20	1.38	1.50
PRO01016	1.50	1.73	1.88
PRO01017	1.60	1.84	2.00
PRO01018	1.80	2.07	2.25
PRO01019	2.00	2.30	2.50

AS PER IS NORMS			
Code	Nominal speed max m/s	Electrical tripping speed m/s	Mechanical tripping speed m/s
PRO001011_IS	0.50	0.63	0.70
PRO001012_IS	0.63	0.79	0.88
PRO001013_IS	0.82	1.03	1.15
PRO001014_IS	1.00	1.25	1.40
PRO001015_IS	1.20	1.50	1.68
PRO001016_IS	1.50	1.88	2.10
PRO001017_IS	1.60	2.00	2.24
PRO001018_IS	1.80	2.25	2.52
PRO001019_IS	2.00	2.50	2.80

PRO00134 Series

ROPE TENSIONER



Rope Tensioner without guard

- Pulley Dia. - 300mm/200mm
- Rope Dia. - 6-8mm
- Available with switch to control rope stretch

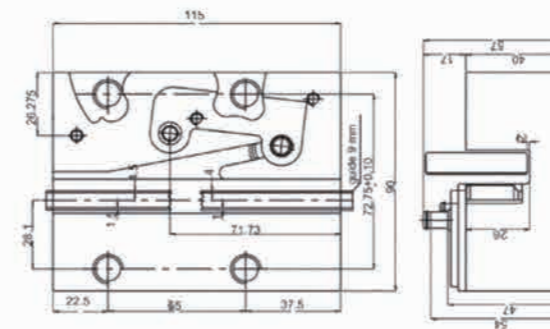
Code	Type of Wt.	Dead Wt. (Kgs.)
PRO00134_C10	Casting	10 Kgs
PRO00134_C20	Casting	20 Kgs
PRO00134_F10	Filler	10 Kgs
PRO00134_F15	Filler	15 Kgs
PRO00134_C10	Casting	10 Kgs
PRO00134_C20	Casting	20 Kgs
PRO00134_F10	Filler	10 Kgs
PRO00134_F15	Filler	15 Kg

PRO00338 Series

SINGLE ROLLER INSTANTANEOUS SAFETY GEAR



Action	- Instantaneous	For Speed	- Upto 1.0 m/s
For Capacity	- Upto 8 Passenger	For Rail Size	- 9mm, 10mm, 16mm



CODE	RAILS	MAX NORMAL SPEED	MAX GOVERNOR INTERVENTION SPEED
PRO00338	8 & 9/16 mm	0.6m/s - 1m/s	1.0m/s - 1.10m/s
CODE	MATERIAL	UIDE RAIL PROCESSING	
REAR M10	C 5	OILED / DRY	

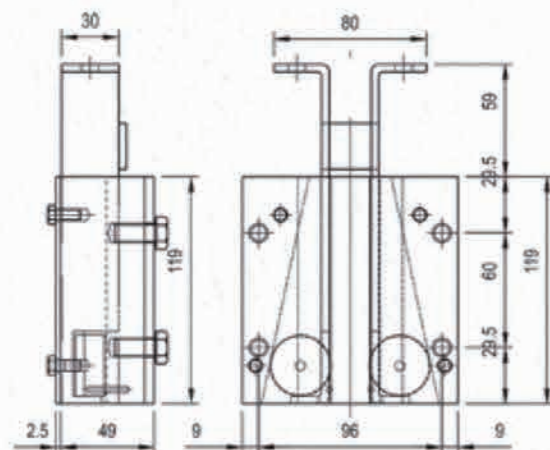
PRO00053 Series

DOUBLE ROLLER INSTANTANEOUS SAFETY GEAR



Action - Instantaneous
For Capacity - Upto 1 Tonne

For Speed - Upto 1.0 m/s
For Rail Size - 9mm, 10mm, 16mm



CODE	TYPE	RAILS	MAX NORMAL SPEED
PRO00053	pro50	6 to 16 mm	0.60 m/s
TRIPPING SPEED	HOLES	MASS KG	MATERIAL
1 m/s	REAR M10	4.0	C 40
Max load on two devices at different release speed		0.06 m/s	3128 kgs
		0.80 m/s	2853 kgs

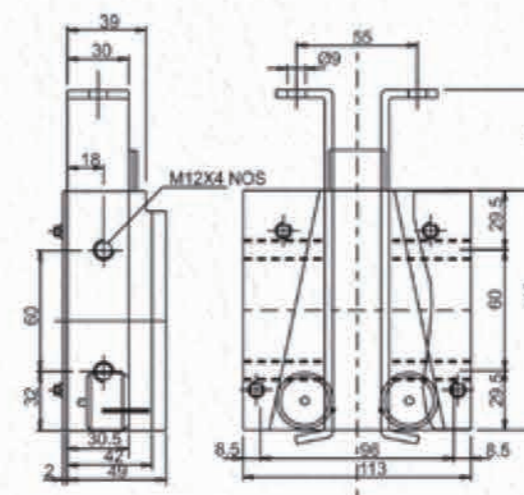
PRO00054 Series

DOUBLE ROLLER INSTANTANEOUS SAFETY GEAR



Action - Instantaneous
For Capacity - Upto 1 Tonne

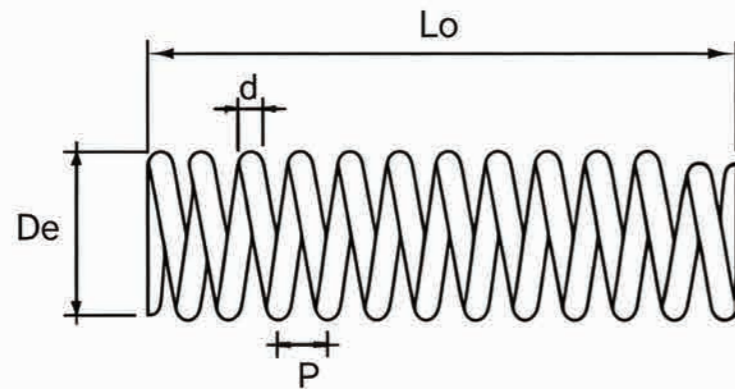
For Speed - Upto 1.0 m/s
For Rail Size - 9mm, 10mm, 16mm



CODE	TYPE	RAILS	MAX NORMAL SPEED
PRO00054	pro50	6 to 16 mm	0.60 m/s
TRIPPING SPEED	HOLES	MASS KG	MATERIAL
1 m/s	SIDE M12	4.0	C 40
Max load on two devices at different release speed		0.06 m/s	3128 kgs
		0.80 m/s	2853 kgs

PRO0038 Series

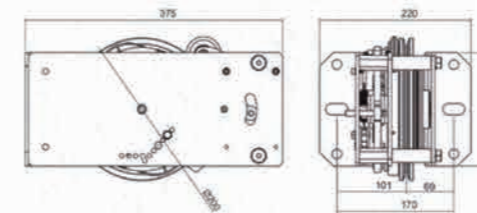
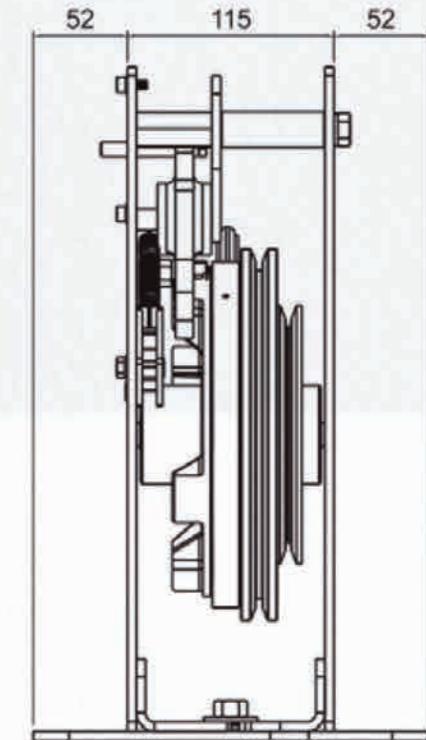
SPRING BUFFERS



TEHNICAL DATA	LENGTH Lo = mm	WIRE DIA D = mm	OUTSIDE DIA De = mm	MIDDLE DIA Dm = mm	PITCH P = mm	ACTIVE TURNS It =	TOTAL TURNS It =	TOTAL COMPRESS LOAD F = daN
PRO0038 14	235	14	85	71	23.26	9.50	10.50	828
PRO0038 14/320	320	14	94	80	26.61	11.50	13.00	928
PRO0038 15	210	15	89	74	26	7.50	8.50	1165
PRO0038 15/330	330	15	94	79	30	10.50	12.00	1360
PRO0038 16	320	16	112	96	38	20	10	1560
PRO0038 18	250	18	98	80	29	8.00	9.00	1851
PRO0038 16/20	420	18	98	80	29.78	13.50	15.00	2007

PRO00343 Series

OVER SPEED GOVERNOR (0200) A3 COMPLIANT



- Sheave Dia. - 200mm
- Rope Dia. - 6-8mm
- Action - Bi-directional
- A3 Norm Compliant to avoid unintended car movement

AS PER EN NORM			
Code	Nominal speed max m/s	Electrical tripping speed m/s	Mechanical tripping speed m/s
PRO00343 1	1.00	1.15	1.25
PRO00343 2	1.20	1.38	1.50
PRO00343 3	1.50	1.73	1.88

AS PER EN NORM			
Code	Nominal speed max m/s	Electrical tripping speed m/s	Mechanical tripping speed m/s
PRO00343 1_1S	1.00	1.25	1.40
PRO00343 2_1S	1.20	1.50	1.68
PRO00343 3_1S	1.50	1.88	2.10

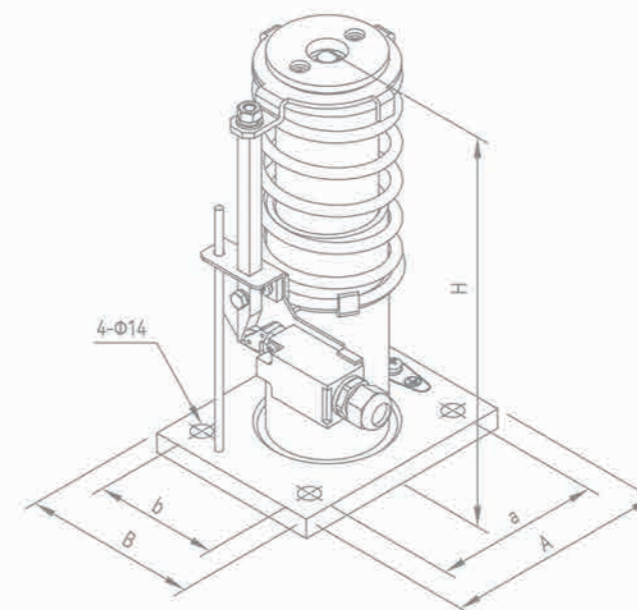
PRO80E Series

Hydraulic Buffer



GB/EAC/CE

Parameter	OH-80E	OH-175E	OH-210E
Rated speed (m/s)	≤1.0	≤1.6	≤1.75
Impact mass range (kg)	600~3600	600~3600	600~3600
Maximum buffer stroke	80	175	210
S (mm)	80	510	592
Height H (mm)	282	0.53	0.65
HL-46 Oil mass (L)	0.25	0.53	0.65
Base plate dimension B×A	120×120	120×120	120×120
Installation dimension b×a	90×90	90×90	90×90



Technical parameter sheet of buffer

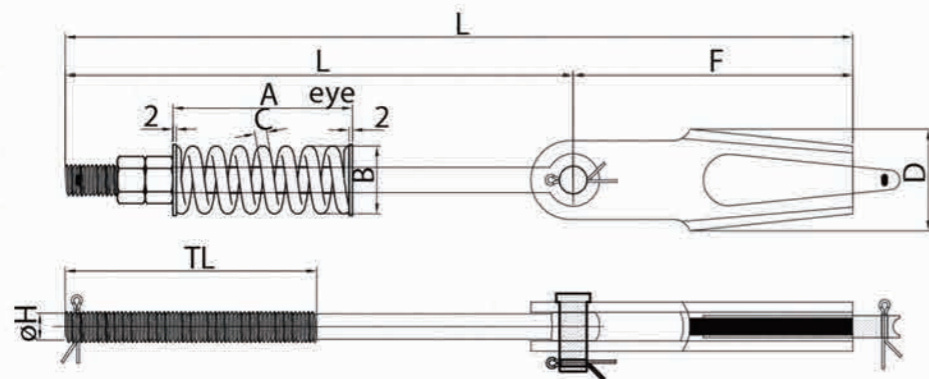
Model	Rated speed m/s	Impact mass range kg	Maximum mm buffer stroke	Free height mm	Installation dimension	Certification
PRO-80E	≤1.0	600~3600	80	282	90×90×Ø14	GB/EAC/CE
PRO-175E	≤1.6	600~3600	175	510	90×90×Ø14	GB/EAC/CE
PRO-210E	≤1.75	600~3600	210	592	90×90×Ø14	GB/EAC/CE
PRO-80	≤1.0	600~3000	80	315	150×90×Ø14	GB/EAC/CE
PRO-175	≤1.6	600~3000	175	510	150×90×Ø14	GB/CE
PRO-210	≤1.75	600~3600	210	610	150×90×Ø14	GB/EAC/CE
PRO-65	≤0.63	500~4600	65	355	100×150×Ø14	GB
PRO-80A	≤1.0	1500~4600	80	405	100×150×Ø18	GB/CE
PRO-025(01)	≤0.4	500~1200	25	122	100×100×Ø12	GB
PRO-025(02)	≤0.4	200~800	25	122	100×100×Ø12	GB
PRO-640	≤3.0	1250~3750	640	1700	150×150×Ø18	GB
PRO-830	≤3.5	1600~4500	830	2210	150×150×Ø18	GB
PRO-1080	≤4.0	2000~5000	1080	2840	150×150×Ø18	GB
PRO-065A	≤0.63	1000~5000	65	209	152(三角固定)Ø9	GB
PRO-30A	≤0.63	1800~4000	40	150	100×120×Ø14	GB
PRO-30B	≤0.63	2800~5600	40	150	100×135×Ø14	GB/CE
PRO-70A	≤1.0	800~3600	85	234	100×120×Ø14	GB/CE
PRO-70B	≤1.0	2000~5500	85	260	100×135×Ø14	GB/CE
PRO-70D	≤1.0	600~1600	80	238	100×100×Ø14	GB
PRO-80C	≤1.0	600~3500	80	282	90×90×Ø14	GB
PRO-175C	≤1.6	600~3500	175	510	90×90×Ø14	GB
PRO-210C	≤1.75	600~3500	210	592	90×90×Ø14	GB
PRO-275C	≤2.0	600~3500	275	760	100×150×Ø14	GB
PRO-425C	≤2.5	600~3500	425	1125	100×150×Ø14	GB

Note: the details shall be subject to the type test report



PRO00108 Series

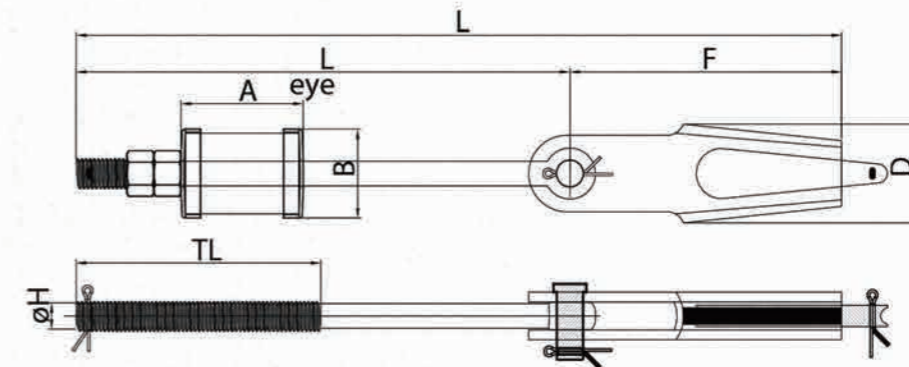
ROPE ANCHORAGE SWIVEL TYPE



CODE	ROPE D mm	ø D	L eye	L mm	F	TL mm	A	B	C	D	MIN STRENGTH KN
PRO00108 1	6 - 8	M12	300	430	130	150	110	32	6.5	50	29.4
	6 - 8	M12	500	630	130	150	110	32	6.5	50	29.4
PRO00108 2	9 - 11	M16	300	465	165	150	102	40	7	60	56.5
	9 - 11	M16	500	665	165	150	102	40	7	60	56.5
PRO00108 3	12 - 14	M20	300	500	200	150	156	50	9	75	78.9
	12 - 14	M20	500	700	200	150	156	50	9	75	78.9
PRO00108 4	5 - 6.5	M10	180	265	85	75	68	24	4	36	22.7

PRO00106 Series

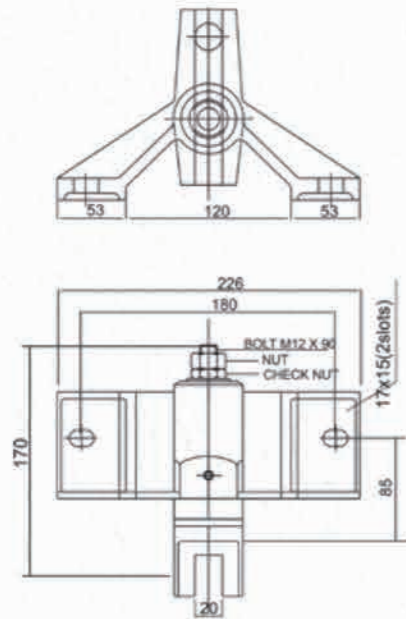
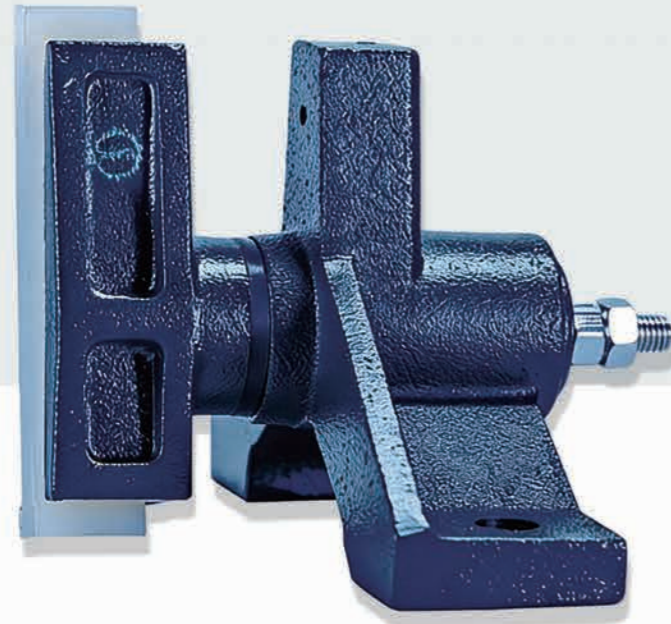
ROPE ANCHORAGE SWIVEL TYPE



CODE	ROPE D mm	ø D	L eye	L mm	F	TL mm	A	B	C	D	MIN STRENGTH KN
PRO00106 1	6 - 8	M12	300	430	130	150	73.5	54	6.5	50	29.4
	6 - 8	M12	500	630	130	150	73.5	54	6.5	50	29.4
PRO00106 2	9 - 11	M16	300	465	165	150	73.5	54	7	60	56.5
	9 - 11	M16	500	665	165	150	73.5	54	7	60	56.5
PRO00106 3	12 - 14	M20	300	500	200	150	73.5	54	9	75	78.9
	12 - 14	M20	500	700	200	150	73.5	54	9	75	78.9
PRO00106 4	5 - 6.5	M10	180	266	85	75	64	41	4	36	22.7

PRO0008 Series

GUIDE SHOE

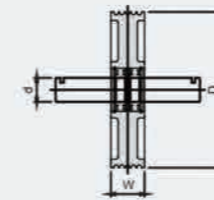


For Capacity - Upto 8 Passenger
 For Speed - Upto 0.85 m/s
 For Rail Size - 9mm, 10mm.

Rail Size	Load daN
For 5 to 10 mm	1000

PRO0015 Series

DIVERTER PULLEY FOR CAR FRAME



Code	Pulley Dia. 'D'	Rope Dia.	No. of ropes	Pitch 'P'	Width 'W'	Shaft Dia. 'd'	Ball Bearing
PRO000151	250	6	5	12	84	50	6210-ZZ
PRO000152	250	6	6	12	84	50	6210-ZZ
PRO000153	250	6	7	12	118	50	6210-ZZ
PRO000154	250	6	8	12	116	50	6210-ZZ
PRO000155	300	8	4	12	70	50	6210-ZZ
PRO000156	300	8	5	12	70	50	6210-ZZ
PRO000157	300	8	6	12	83	50	6210-ZZ
PRO000158	300	10	3	17	70	50	6210-ZZ
PRO000159	300	10	4	17	83	50	6210-ZZ
PRO0001510	300	10	5	17	102	50	6210-ZZ
PRO0001511	300	13	3	19	70	50	6210-ZZ
PRO00015 12	300	13	4	19	83	50	6210-ZZ
PRO0001513	320	6	5	12	70	55	6211-ZZ
PRO0001514	320	6	6	12	86	55	6211-ZZ
PRO00015 15	320	6	7	12	106	55	6211-ZZ
PRO00015 16	320	6	8	12	130	55	6211-ZZ
PRO0001517	320	8	4	12	70	55	6211-ZZ
PRO0001518	320	8	5	12	70	55	6211-ZZ
PRO0001519	320	8	6	12	86	55	6211-ZZ
PRO00015 20	400	8	4	12	70	55	6211-ZZ
PRO0001521	400	8	5	12	70	55	6211-ZZ
PRO00015 22	400	8	6	12	84	55	6211-ZZ
PRO00015 23	400	8	8	12	102	55	6211-ZZ
PRO00015 24	400	10	3	17	70	55	6211-ZZ
PRO00015 25	400	10	4	17	84	55	6211-ZZ
PRO00015 26	400	10	5	17	102	55	6211-ZZ
PRO00015 27	400	13	3	19	70	55	6211-ZZ
PRO00015 28	400	13	4	19	84	55	6211-ZZ
PRO00015 29	400	13	5	19	102	55	6211-ZZ
PRO0001530	525	8	6	12	102	55	6211-ZZ
PRO0001531	525	8	8	12	108	55	6211-ZZ
PRO0001532	525	10	3	17	102	55	6211-ZZ
PRO00015 33	525	10	4	17	102	55	6211-ZZ
PRO0001534	525	10	5	17	102	55	6211-ZZ
PRO00015 35	525	13	3	19	102	55	6211-ZZ
PRO00015 36	525	13	4	19	102	55	6211-ZZ
PRO00015 37	525	13	5	19	130	55	6211-ZZ
PRO00015 38	525	13	6	19	130	55	6211-ZZ

PRO210A Series

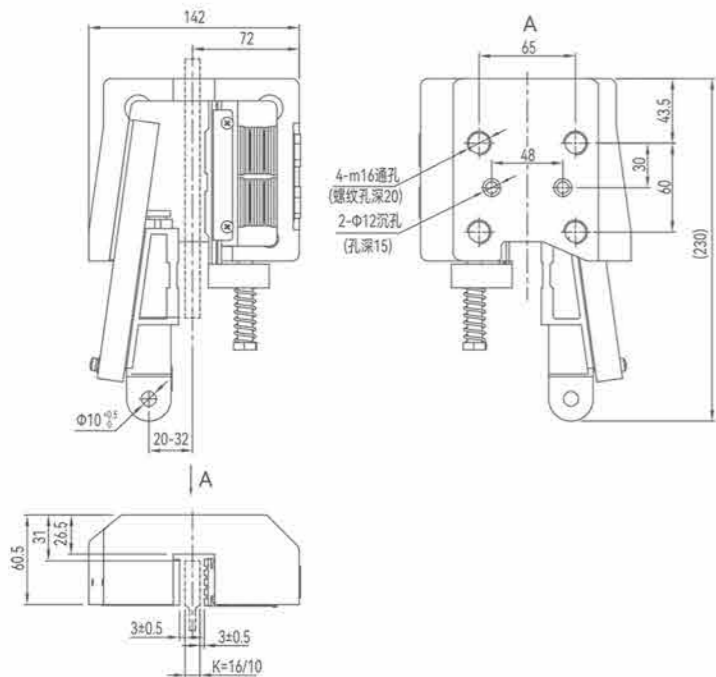
Progressive Safety Gear



GB

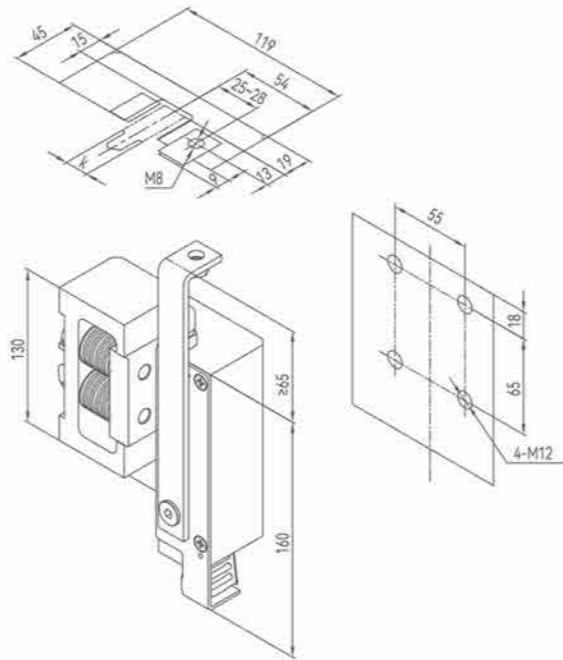
Parameter	PRO-210A
Rated speed (m/s)	≤2.5
Permissible mass (kg)	1100~3000
Matching guide rails (mm)	10、16 (Guide rail width)
Pulling form	arm swing linkag

Overall Dimension



GB/EAC/CE

Parameter	PRO-210B
Rated speed (m/s)	≤2.5
Permissible mass (kg)	600~2800
Matching guide rails (mm)	≤16 (Guide rail width)
Pulling form	Single pulling (Standard M8)



PRO210BT Series

Linkage System

Parameter	PRO-210BT
Installation mode	Installation of car vertical beam with knapsack frame structure
Pulling form	Single pulling
Matching safety gear	PRO-210BT
Pre-tighten lifting force	150~200 N
Instruction	Excluding switch

Bill of materials (or technical consultation)



Overall Dimension

