



ITALIANPRO

ELEVATOR GEARED-GEARLESS
MACHINES & COMPONENTS

GEARED MACHINE PPRO063 Series



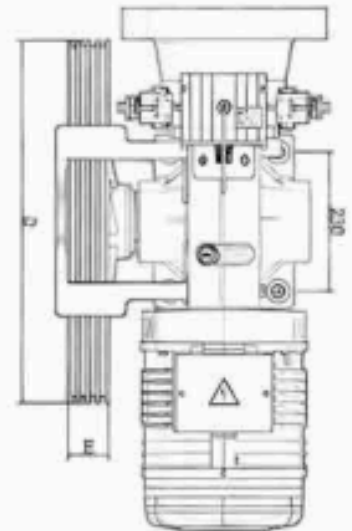
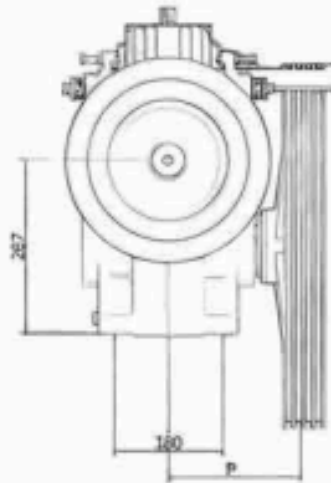
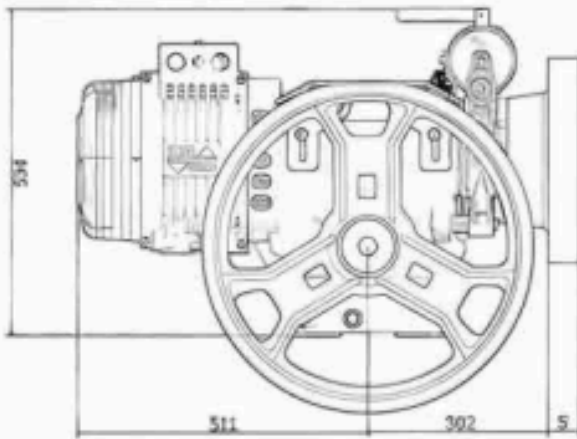


ITALIANPRO

ELEVATOR GEARED-GEARLESS MACHINES & COMPONENTS

50Hz	PRO063			SYNCHRONOUS POWER KWS			
				4,40	5,00	5,50	6,00
1500 1500/375 rpm 4-4/16 POLES	TRACTION SHEAVE Dia mm	SPEED M/Sec	RATIO	SYNCHRONOUS POWER HP			
				6,00	6,70	7,50	8,00
DRIVE SYSTEM AC2 SP&VVVF ROPING 1:1	480	0,65	1:58	630	700		
	480	0,72	1:52	590	630	735	740
	480	0,84	1:45	510	580	635	680

60Hz	PRO063			SYNCHRONOUS POWER KWS			
				5,00	5,50	6,00	6,70
1800 1800/450 rpm 4-4/16 POLES	TRACTION SHEAVE Dia mm	SPEED M/Sec	RATIO	SYNCHRONOUS POWER HP			
				6,70	7,50	8,00	9,00
DRIVE SYSTEM AC2 SP&VVVF ROPING 1:1	480	0,78	1:58	620	680	700	710
	480	0,87	1:52	558	624	646	726
	480	1,00	1:45	505	565	610	690



TRACTION SHEAVE D (mm)	DISTANCE P(mm)	FLYWELL DEPTH S (mm)	TATIC LOAD Kg /Kgs	STATIC LOAD DIRECTION (%)
480	205	15-50	2600	100% 100% 100% 100%