



# ITALIANPRO

ELEVATOR GEARED-GEARLESS  
MACHINES & COMPONENTS

## Hydraulic Buffer PRO80E Series



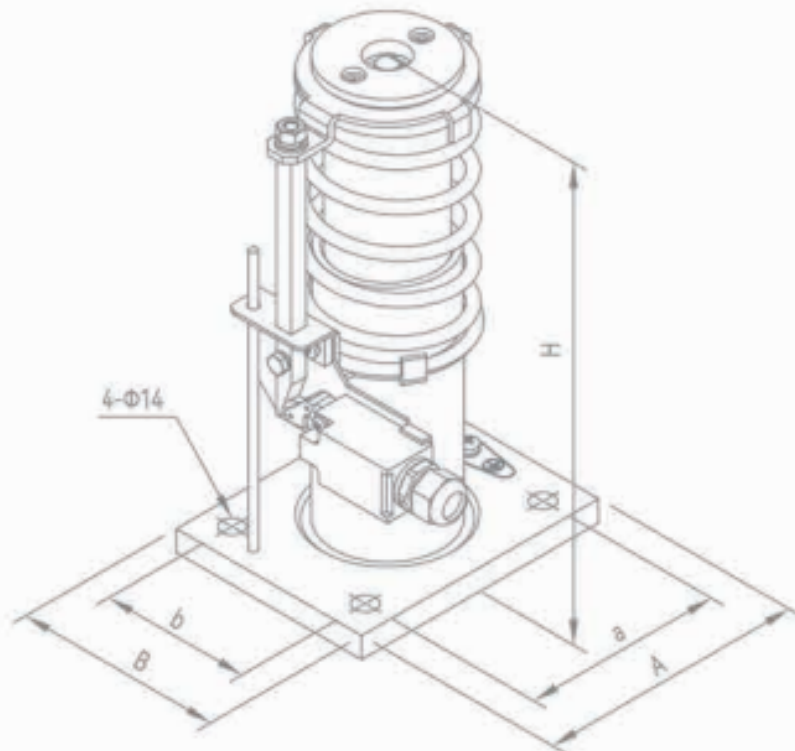


# ITALIANPRO

## ELEVATOR GEARED-GEARLESS MACHINES & COMPONENTS

### GB/EAC/CE

Parameter	OH-80E	OH-175E	OH-210E
Rated speed (m/s)	≤1.0	≤1.6	≤1.75
Impact mass range (kg)	600~3600	600~3600	600~3600
Maximum buffer stroke	80	175	210
S (mm)	80	510	592
Height H (mm)	282	0.53	0.65
HL-46 Oil mass (L)	0.25	0.53	0.65
Base plate dimension B×A	120×120	120×120	120×120
Installation dimension b×a	90×90	90×90	90×90





# ITALIANPRO

## ELEVATOR GEARED-GEARLESS MACHINES & COMPONENTS

### Technical parameter sheet of buffer

Model	Rated speed m/s	Impack mass range kg	Maximum mm buffer stroke	Free height mm	Installation dimension	Certification
PRO-80E	≤1.0	600-3600	80	282	90×90×Ø14	GB/EAC/CE
PRO-175E	≤1.6	600-3600	175	510	90×90×Ø14	GB/EAC/CE
PRO-210E	≤1.75	600-3600	210	592	90×90×Ø14	GB/EAC/CE
PRO -80	≤1.0	600-3000	80	315	150×90×Ø14	GB/EAC/CE
PRO-175	≤1.6	600-3000	175	510	150×90×Ø14	GB/CE
PRO-210	≤1.75	600-3600	210	610	150×90×Ø14	GB/EAC/CE
PRO-65	≤0.63	500-4600	65	355	100×150×Ø14	GB
PRO-80A	≤1.0	1500-4600	80	405	100×150×Ø18	GB/CE
PRO-025(01)	≤0.4	500-1200	25	122	100×100×Ø12	GB
PRO-025(02)	≤0.4	200-800	25	122	100×100×Ø12	GB
PRO-640	≤3.0	1250-3750	640	1700	150×150×Ø18	GB
PRO-830	≤3.5	1600-4500	830	2210	150×150×Ø18	GB
PRO-1080	≤4.0	2000-5000	1080	2840	150×150×Ø18	GB
PRO-065A	≤0.63	1000-5000	65	209	152(三角固定)Ø9	GB
PRO-30A	≤0.63	1800-4000	40	150	100×120×Ø14	GB
PRO-30B	≤0.63	2800-5600	40	150	100×135×Ø14	GB/CE
PRO-70A	≤1.0	800-3600	85	234	100×120×Ø14	GB/CE
PRO-70B	≤1.0	2000-5500	85	260	100×135×Ø14	GB/CE
PRO-70D	≤1.0	600-1600	80	238	100×100×Ø14	GB
PRO-80C	≤1.0	600-3500	80	282	90×90×Ø14	GB
PRO-175C	≤1.6	600-3500	175	510	90×90×Ø14	GB
PRO-210C	≤1.75	600-3500	210	592	90×90×Ø14	GB
PRO-275C	≤2.0	600-3500	275	760	100×150×Ø14	GB
PRO-425C	≤2.5	600-3500	425	1125	100×150×Ø14	GB